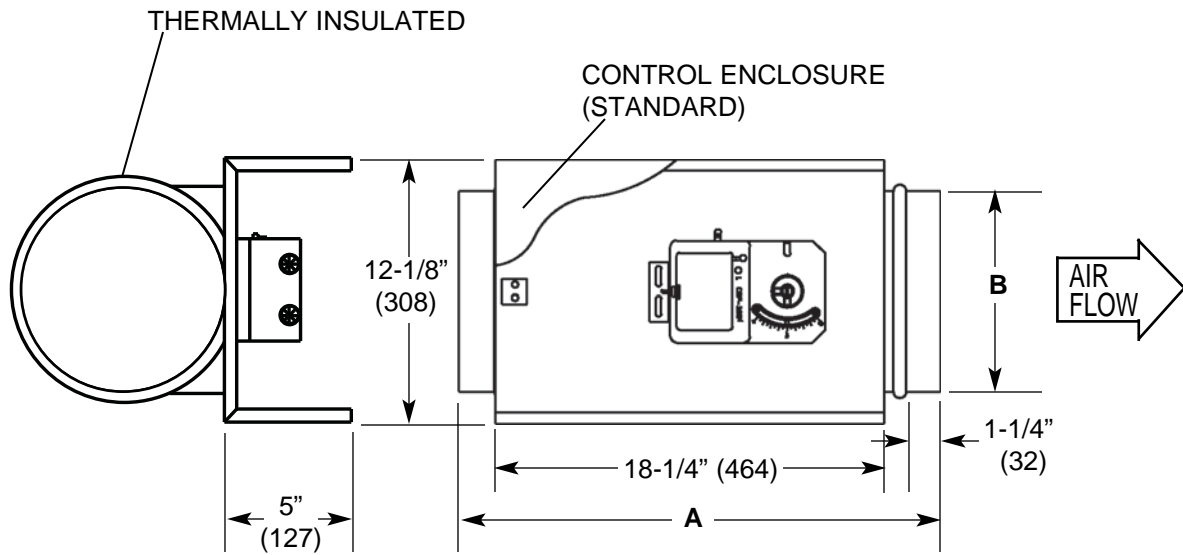


Imperial [IP] Dimensions
Metric (SI) in Parentheses

CARNES COMPANY 448 S. Main St., P. O. Box 930040, Verona, WI 53593-0040 Phone: (608)845-6411 Fax: (608)845-6504 www.carnes.com

**RIGHT HAND CONTROLS SHOWN
LEFT HAND AVAILABLE**



10' of tubing and pitot tube included.

Dimensions Listed In Inches (Millimeters)		
Unit Size	A	B
05	19 (482)	4-7/8 (124)
06	19 (482)	5-7/8 (149)
07	19 (482)	6-7/8 (175)
08	19 (482)	7-7/8 (200)
10	19 (482)	9-7/8 (251)
12	21 (533)	11-7/8 (302)
14	22 (558)	13-7/8 (352)
16	23 (584)	15-7/8 (403)