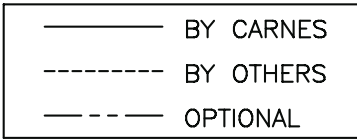
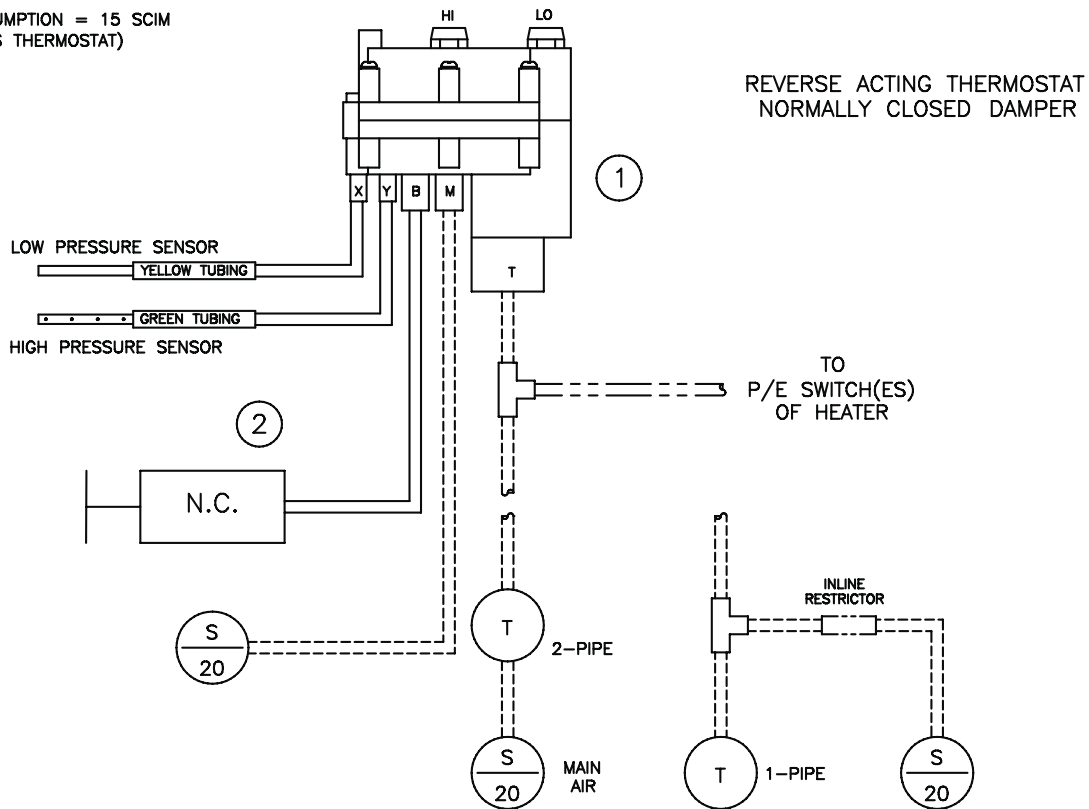


CARNES COMPANY, 448 S. Main St., P. O. Box 930040, Verona, WI. 53593-0040 Phone: 608/845-6411 Fax: 608/845-6470 E-Mail: carnes@carnes.com www.carnes.com



ITEM	PART NO.	DESCRIPTION
1	999-2826	REVERSE ACTING CONTROLLER (GRAY)
2	AXBAG	ACTUATOR (8-13 PSI)

AIR CONSUMPTION = 15 SCIM
(EXCLUDES THERMOSTAT)



SEQUENCE OF OPERATION

WITH AN INCREASE IN ROOM TEMPERATURE, THERMOSTAT PRESSURE IS DECREASED CAUSING THE DAMPER TO OPEN TOWARDS THE MAXIMUM CFM SETTING TO SATISFY ROOM SET-POINT.

WITH A DECREASE IN ROOM TEMPERATURE, THERMOSTAT PRESSURE IS INCREASED CAUSING THE DAMPER TO CLOSE TOWARDS THE MINIMUM CFM SETTING TO SATISFY ROOM SET-POINT.

MINIMUM AND MAXIMUM CFM SETTINGS ARE FACTORY SET, AND MAINTAINED BY THE VOLUME REGULATOR.

WHEN THE SYSTEM IS DESIGNED WITH REHEAT, HEATING STAGES ARE ENERGIZED AT THE APPROPRIATE PRESSURE SETTINGS.

CONTROL DIAGRAM

