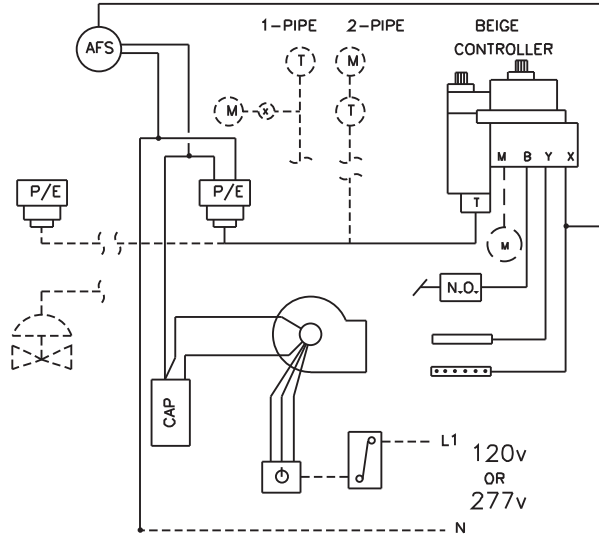


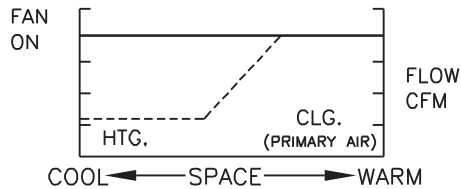
CONSTANT VOLUME FAN TERMINAL UNITS PRESSURE INDEPENDENT

CE5C or CE6C

DANO

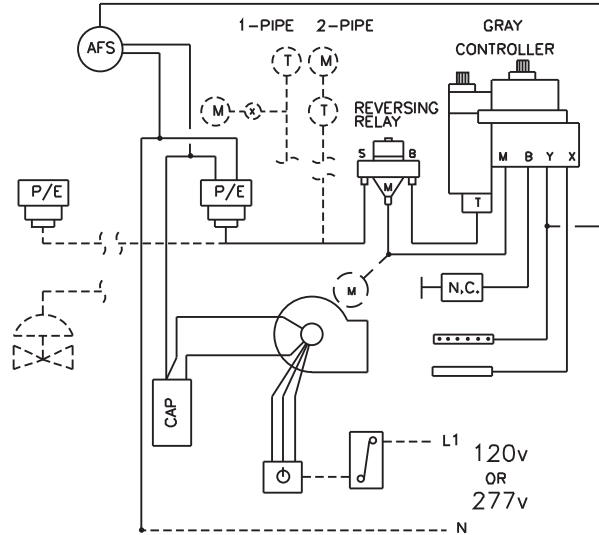


DIRECT-ACTING THERMOSTAT (CONSTANT VOLUME)

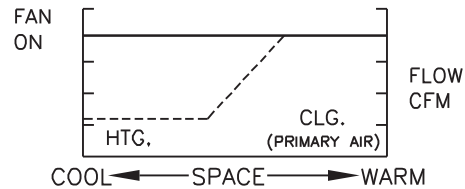


CE3C or CE4C

DANC

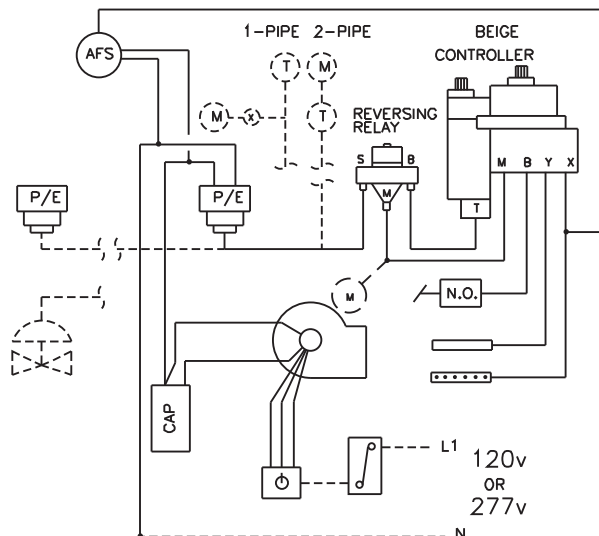


DIRECT-ACTING THERMOSTAT (CONSTANT VOLUME)

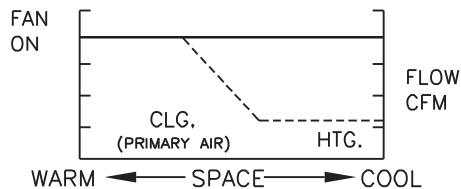


CE1C or CE2C

RANO

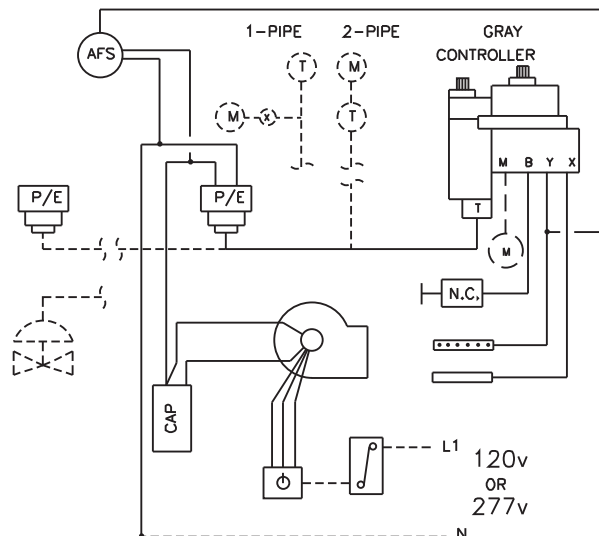


REVERSE-ACTING THERMOSTAT (CONSTANT VOLUME)



CE7C or CE8C

RANC



REVERSE-ACTING THERMOSTAT (CONSTANT VOLUME)

