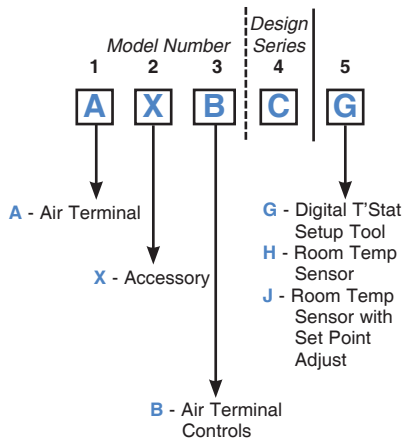


Direct Digital Control (DD/DC/DM)



AVAILABLE CONTROL TYPES/DAMPER CONFIGURATION/T'STAT COMBINATIONS

Control Types 9 10	Damper Configurations 11	T'Stat Types 13						
		0	1	2	3	4	5	6
CE or CX	1, 2, 3, 4, 5, 6, 7 or 8	No	Yes	Yes	Yes	Yes	Yes	Yes
CA or CM	1, 2, 3, 4, 5, 6, 7 or 8	No	No	No	Yes	Yes	No	No
DO, DE, NS	1 or 2	Yes	No	No	No	No	No	No