

- CONTROL TYPE**
- CA - Pneumatic Actuator with Mechanical Max./Min. Stops by Carnes
 - CM - Pneumatic Actuator by Carnes
 - CE - Pneumatic Actuator by Carnes, Reset Controller by Carnes
 - CX - Pneumatic Actuator by Carnes, (Multi-function) Reset Controller by Carnes
 - ET - Analog Electronic Velocity Controller with Integral Damper Actuator (Enclosure Included)
 - EL - Analog Electronic Velocity Controller with Integral Damper Actuator and Cooling/Heating Changeover (Enclosure Included)
 - DD - SimplyVAV, DDC by Carnes
 - DC - SimplyVAV, DDC by Carnes with Heat/Cool Changeover
 - DO - DDC Provided by Others, Mounted and Wired by Carnes, w/Carnes Inlet Sensor, w/3/8" Damper Shaft, w/Enclosure
 - DE - DDC Enclosure w/Carnes Inlet Sensor, w/Bare 3/8" Damper Shaft
 - MA - Manual Damper by Carnes

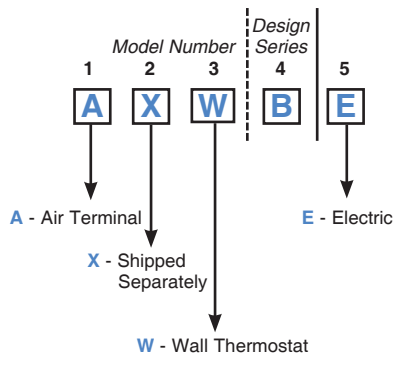
**EL control sequence requires the AXWCB wall stat in lieu of the standard AXWCA.

- CONTROLS, DAMPERS AND COIL ARRANGEMENTS**
- *1 - Normally Open - Right Hand Controls
(All Electric/Electronic/Manual Control Types/DO, DE, NS)
(All Pneumatic Control Types for Reverse Acting Thermostat)
 - *2 - Normally Open - Left Hand Controls
(All Electric/Electronic/Manual Control Types/DO, DE, NS)
(All Pneumatic Control Types for Reverse Acting Thermostat)
 - 3 - Normally Closed - Right Hand Controls
(All Pneumatic Control Types for Direct Acting Thermostat)
 - 4 - Normally Closed - Left Hand Controls
(All Pneumatic Control Types for Direct Acting Thermostat)
 - 5 - Normally Open - Right Hand Controls
(All Pneumatic Control Types for Direct Acting Thermostat)
 - 6 - Normally Open - Left Hand Controls
(All Pneumatic Control Types for Direct Acting Thermostat)
 - 7 - Normally Closed - Right Hand Controls
(All Pneumatic Control Types for Reverse Acting Thermostat)
 - 8 - Normally Closed - Left Hand Controls
(All Pneumatic Control Types for Reverse Acting Thermostat)

* Electric, Electronic and DDC Units **DO NOT** fail open. '1' or '2' is used for Right or Left Hand Only. Electric/Electronic Units are shipped with the Damper in the Open Position.

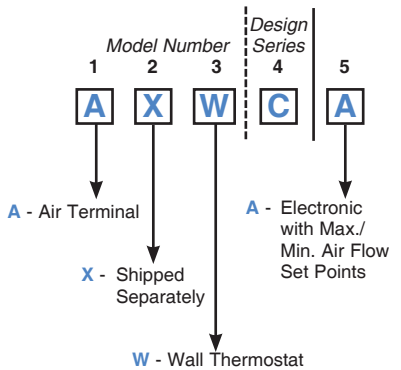
NOTE: Hand of controls is determined by facing the averaging flow sensor (inlet of the unit) with the supply air hitting the back of your head.

▼ Electric Thermostat



A Carnes Electric Thermostat **must be ordered** with the Electric EA and EB Control Options.

▼ Electronic Thermostat



A Carnes Electronic Thermostat **must be ordered** with the ET Electronic Control Option.

▼ Direct Digital Control (DD/DC/DM)

