

- CONTROL TYPE**
- CA - Pneumatic Actuator with Mechanical Max./Min. Stops by Carnes
  - CM - Pneumatic Actuator by Carnes
  - CE - Pneumatic Actuator by Carnes, Reset Controller by Carnes
  - CX - Pneumatic Actuator by Carnes (Multi-function) Reset Controller by Carnes
  - ET - Analog Electronic Velocity Controller with Integral Damper Actuator (Enclosure Included)
  - EL - Analog Electronic Velocity Controller with Integral Damper Actuator and Cooling/Heating Changeover (Enclosure Included)
  - DD - SimplyVAV, DDC by Carnes
  - DC - SimplyVAV, DDC by Carnes with Heat/Cool Changeover
  - DO - DDC Provided by Others, Mounted and Wired by Carnes, w/Carnes Inlet Sensor, w/ 3/8" Damper Shaft, w/Enclosure
  - DE - DDC Enclosure with Carnes Inlet Sensor, w/Bare 3/8" Damper Shaft
  - MA - Manual Damper by Carnes
  - NS - No Damper Controls, w/Carnes Inlet Sensor, w/Bare 3/8" Damper Shaft (No Enclosure)
- \*\* EL control sequence requires the AXWCB wall stat in lieu of the standard AXWCA.

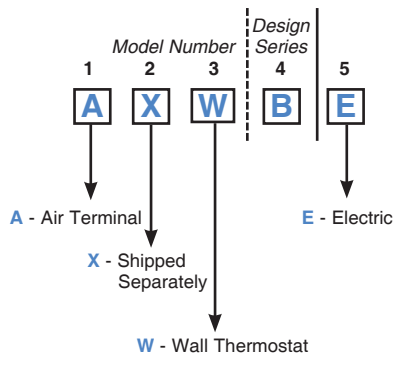
- CONTROLS, DAMPERS AND COIL ARRANGEMENTS**
- \*1 - Normally Open - Right Hand Controls (All Electric/Electronic/Manual Control Types/DO, DE, NS) (All Pneumatic Control Types for Reverse Acting Thermostat)
  - \*2 - Normally Open - Left Hand Controls (All Electric/Electronic/Manual Control Types/DO, DE, NS) (All Pneumatic Control Types for Reverse Acting Thermostat)
  - 3 - Normally Closed - Right Hand Controls (All Pneumatic Control Types for Direct Acting Thermostat)
  - 4 - Normally Closed - Left Hand Controls (All Pneumatic Control Types for Direct Acting Thermostat)
  - 5 - Normally Open - Right Hand Controls (All Pneumatic Control Types for Direct Acting Thermostat)
  - 6 - Normally Open - Left Hand Controls (All Pneumatic Control Types for Direct Acting Thermostat)
  - 7 - Normally Closed - Right Hand Controls (All Pneumatic Control Types for Reverse Acting Thermostat)
  - 8 - Normally Closed - Left Hand Controls (All Pneumatic Control Types for Reverse Acting Thermostat)

Left Hand Units:  
CCW to by-pass  
Right Hand Units:  
CW to by-pass

\* Electric, Electronic and DDC Units **DO NOT** fail open. '1' or '2' is used for Right or Left Hand Only. Electric/Electronic Units are shipped with the Damper in the Open Position.

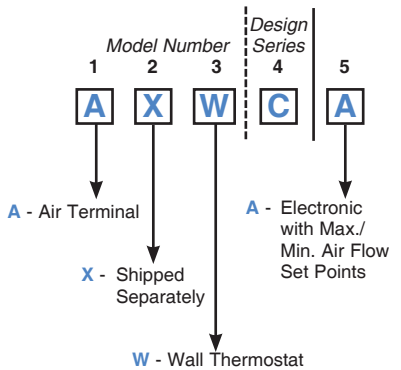
**NOTE:** Hand of controls is determined by facing the averaging flow sensor (inlet of the unit) with the supply air hitting the back of your head.

### ▼ Electric Thermostat



A Carnes Electric Thermostat **must be ordered** with the Electric EA and EB Control Options.

### ▼ Electronic Thermostat



A Carnes Electronic Thermostat **must be ordered** with the ET Electronic Control Option.

### ▼ Direct Digital Control (DD/DC/DM)

