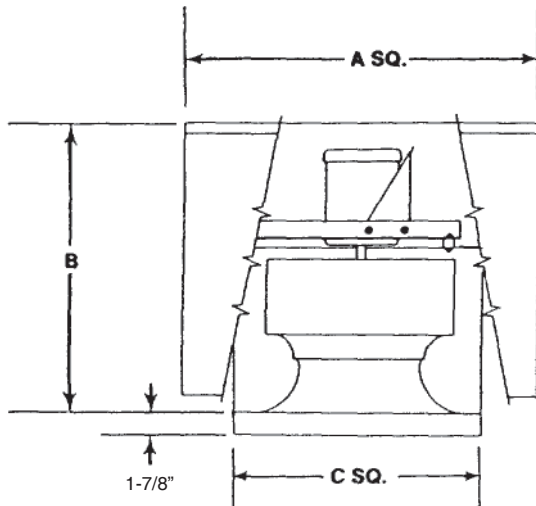


Standard Dimensions
(Metric on Reverse Side)

CARNES COMPANY 448 S. Main St., P. O. Box 930040, Verona, WI 53593-0040 Phone: (608)845-6411 Fax: (608)845-6504 www.carnes.com

MODEL VTDK



STANDARD FEATURES

- Galvanized steel housing (aluminum optional).
- Galvanized birdscreen.
- Corrosion resistant, aluminum curb cap.
- Integral motor overload protection on all standard single phase motors.
- Disconnect switch on all motors except explosion proof.
- Non-overloading, backwardly inclined wheel.
- Isolated suspended motor wheel-drive assembly.
- Spark resistant construction thru size 18.

Field wiring of motor, disconnect and conduit are to be in accordance with specifications and local codes.

STANDARD MATERIAL AND THICKNESS

UNIT SIZE	Housing		Lid		Curb Cap (Alum.)	Std. Wheel	Diffuser (Galv.)
	Galv.	Alum.	Galv.	Alum.			
06	22 GA.	.063	22 GA.	.063	.050	Aluminum	22 GA.
08	22 GA.	.063	22 GA.	.063	.050	Aluminum	22 GA.
10	22 GA.	.063	22 GA.	.063	.063	Aluminum	22 GA.
12	22 GA.	.063	22 GA.	.063	.063	Aluminum	22 GA.
15	22 GA.	.063	22 GA.	.063	.063	Aluminum	20 GA.
18	22 GA.	.063	22 GA.	.063	.063	Aluminum	18 GA.

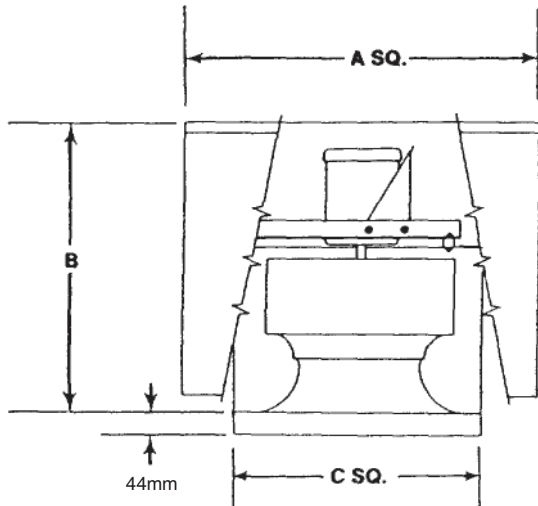
STANDARD DIMENSIONS LISTED IN INCHES

UNIT SIZE	Housing A SQ.	Unit Height B	Inside Curb Cap C SQ.	Roof Opening SQ.	Curb O.D. SQ.	Damper Size SQ.	Approx. Wt. Less Motor (LBS.)
06	26	19-3/8	15-1/2	11	14	10	45
08	26	20-3/4	15-1/2	11	14	10	45
10	30	21-3/8	17-5/8	13	16	12	50
12	30	23	17-5/8	13	16	12	50
15	30	29-7/8	20-1/2	16	19	15	65
18	34-5/8	31	25	20-1/2	23-1/2	19	80

Metric Dimensions
(Standard on Reverse Side)

CARNES COMPANY 448 S. Main St., P. O. Box 930040, Verona, WI 53593-0040 Phone: (608)845-6411 Fax: (608)845-6504 www.carnes.com

MODEL VTDK



STANDARD FEATURES

- Galvanized steel housing (aluminum optional).
- Galvanized birdscreen.
- Corrosion resistant, aluminum curb cap.
- Integral motor overload protection on all standard single phase motors.
- Disconnect switch on all motors except explosion proof.
- Non-overloading, backwardly inclined wheel.
- Isolated suspended motor wheel-drive assembly.
- Spark resistant construction thru size 18.

Field wiring of motor, disconnect and conduit are to be in accordance with specifications and local codes.

STANDARD MATERIAL AND THICKNESS

UNIT SIZE	Housing		Lid		Curb Cap (Alum.)	Std. Wheel	Diffuser (Galv.)
	Galv.	Alum.	Galv.	Alum.			
06	22 GA.	1.6	22 GA.	1.6	1.3	Aluminum	22 GA.
08	22 GA.	1.6	22 GA.	1.6	1.3	Aluminum	22 GA.
10	22 GA.	1.6	22 GA.	1.6	1.6	Aluminum	22 GA.
12	22 GA.	1.6	22 GA.	1.6	1.6	Aluminum	22 GA.
15	22 GA.	1.6	22 GA.	1.6	1.6	Aluminum	20 GA.
18	22 GA.	1.6	22 GA.	1.6	1.6	Aluminum	18 GA.

STANDARD DIMENSIONS LISTED IN MILLIMETERS

UNIT SIZE	Housing A SQ.	Unit Height B	Inside Curb Cap C SQ.	Roof Opening SQ.	Curb O.D. SQ.	Damper Size SQ.	Approx. Wt. Less Motor (KG.)
06	660	492	394	279	356	254	21
08	660	527	394	279	356	254	21
10	762	543	448	330	406	305	23
12	762	584	448	330	406	305	23
15	762	759	521	406	483	381	30
18	879	787	635	521	597	483	36