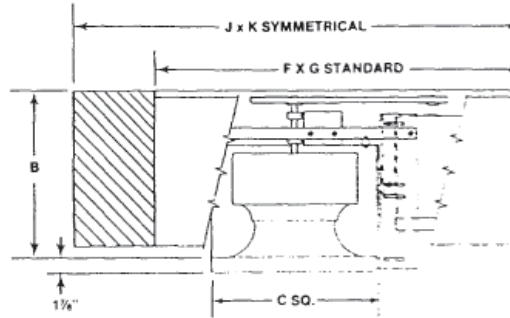


Standard Dimensions
(Metric on Reverse Side)

CARNES COMPANY 448 S. Main St., P. O. Box 930040, Verona, WI 53593-0040 Phone: (608)845-6411 Fax: (608)845-6504 www.carnes.com



STANDARD FEATURES:

- Galvanized steel housing (aluminum optional).
- Galvanized birdscreen.
- Corrosion resistant, aluminum curb cap.
- Integral motor thermal overload protection on all standard single phase motors.
- Disconnect switch on all motors except explosion proof.
- Motors thru 10 HP are factory mounted.
- Adjustable V-belt drives.
- Non-overloading, backwardly inclined wheel.
- Isolated suspended motor wheel-drive assembly.
- Spark resistant construction through size 24.
- Polished CRS fan shaft with rust inhibitive coating.
- Two belt furnished on 5 HP and up.

STANDARD DIMENSIONS LISTED IN INCHES

UNIT SIZE	Hood Size		Unit Height B	Inside Curb Cap C SQ.	Roof Opening SQ.	Curb O.D. SQ.	Damper Size SQ.	Unit Weight LBS.
	Standard F x G	Symmetrical J x K						
06	32-5/8 x 25-1/8	38-1/8 x 25-1/8	14-1/2	15-1/2	11	14	10	45
08	32-5/8 x 25-1/8	38-1/8 x 25-1/8	15-7/8	15-1/2	11	14	10	45
10	35-1/8 x 28-1/8	42-1/8 x 28-1/8	16-1/2	17-5/8	13	16	12	50
12	35-1/8 x 28-1/8	42-1/8 x 28-1/8	18-1/8	17-5/8	13	16	12	50
15	38-5/8 x 31-1/8	46-1/8 x 31-1/8	21	20-1/2	16	19	15	65
18	42-1/8 x 34-1/8	50-1/8 x 34-1/8	22-1/8	25	20-1/2	23-1/2	19	85
21	45-5/8 x 36-1/8	54-1/8 x 36-1/8	22-3/8	28-1/8	23-1/2	26-1/2	22	120
24	50-5/8 x 41-1/8	60-1/8 x 41-1/8	25-5/8	31-1/8	26-1/2	29-1/2	26	145
30	60-5/8 x 48-1/8	73-1/8 x 48-1/8	29-3/8	40-1/8	35-1/2	38-1/2	34	210
36	69-1/8 x 56-1/8	82-1/8 x 56-1/8	32-1/8	46-1/8	41-1/2	44-1/2	40	339
42	81-1/8 x 64-1/8	90-1/8 x 64-1/8	36-1/2	54-1/8	49-1/2	52-1/2	48	515
48	86-5/8 x 70-1/8	93-1/8 x 70-1/8	38-3/4	58-1/8	53-1/2	56-1/2	52	505
54	94-1/8 x 78-1/8	100-1/8 x 78-1/8	44-3/8	64-1/8	59-1/2	62-1/2	58	690

ABBREVIATIONS:

- OP = Open
- TE = Totally Enclosed
- XP = Explosion Proof
- 2S = Two Speed

ACCESSORIES:

- JCFAG = Roof curb – galvanized
- JDFAA = Roof curb – aluminum
- JDHAA = Automatic damper
- JDHAM = Motorized damper
- ARC = Epoxy coating
- PC = Prime coat

FAN NO. LOCATION	QTY	MODEL/SIZE	CFM	SP	FAN RPM	SONES	MOTOR			ACCESSORIES
							HP	ELECTRICAL	TYPE	

NOTES

PROJECT:

ARCHITECT:

CONTRACTOR:

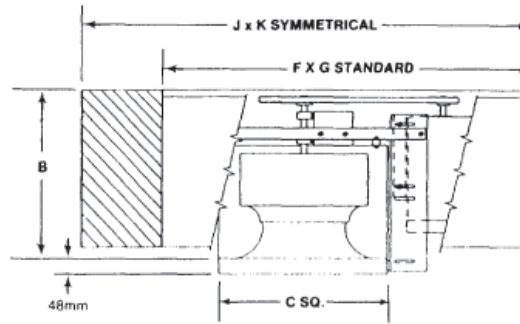
DATE:

SUBMITTED BY:

ENGINEER:

Metric Dimensions
(Standard on Reverse Side)

CARNES COMPANY 448 S. Main St., P. O. Box 930040, Verona, WI 53593-0040 Phone: (608)845-6411 Fax: (608)845-6504 www.carnes.com



STANDARD FEATURES:

- Galvanized steel housing (aluminum optional).
- Galvanized birdscreen.
- Corrosion resistant, aluminum curb cap.
- Integral motor thermal overload protection on all standard single phase motors.
- Disconnect switch on all motors except explosion proof.
- Motors thru 10 HP are factory mounted.
- Adjustable V-bet drives.
- Non-overloading, backwardly inclined wheel.
- Isolated suspended motor wheel-drive assembly.
- Spark resistant construction through size 24.
- Polished CRS fan shaft with rust inhibitive coating.
- Two belt furnished on 5 HP and up.

STANDARD DIMENSIONS LISTED IN MILLIMETERS

UNIT SIZE	Hood Size		Unit Height B	Inside Curb Cap C SQ.	Roof Opening SQ.	Curb O.D. SQ.	Damper Size SQ.	Unit Weight KG.
	Standard F x G	Symmetrical J x K						
06	829 x 638	968 x 638	368	394	279	356	254	21
08	829 x 638	968 x 638	403	394	279	356	254	21
10	892 x 714	1070 x 714	419	448	330	406	305	23
12	892 x 714	1070 x 714	460	448	330	406	305	23
15	981 x 791	1172 x 791	533	521	406	483	381	30
18	1070 x 867	1273 x 867	562	635	521	597	483	39
21	1159 x 918	1375 x 918	568	714	597	673	559	54
24	1286 x 1045	1527 x 1045	651	791	673	749	660	66
30	1540 x 1222	1857 x 1222	746	1019	902	978	864	95
36	1756 x 1426	2086 x 1426	816	1172	1054	1130	1016	152
42	2061 x 1629	2289 x 1629	927	1374	1257	1334	1219	234
48	2200 x 1781	2365 x 1781	984	1476	1359	1435	1321	230
54	2391 x 1984	2543 x 1984	1127	1629	1511	1588	1473	313

ABBREVIATIONS:

- OP = Open
- TE = Totally Enclosed
- XP = Explosion Proof
- 2S = Two Speed

ACCESSORIES:

- JCFAG = Roof curb – galvanized
- JDFAA = Roof curb – aluminum
- JDHAA = Automatic damper
- JDHAM = Motorized damper
- ARC = Epoxy coating
- PC = Prime coat

FAN NO. LOCATION	QTY	MODEL/SIZE	CFM	SP	FAN RPM	SONES	MOTOR			ACCESSORIES
							HP	ELECTRICAL	TYPE	

NOTES

PROJECT:

ARCHITECT:

CONTRACTOR:

DATE:

SUBMITTED BY:

ENGINEER:

Page _____ of _____