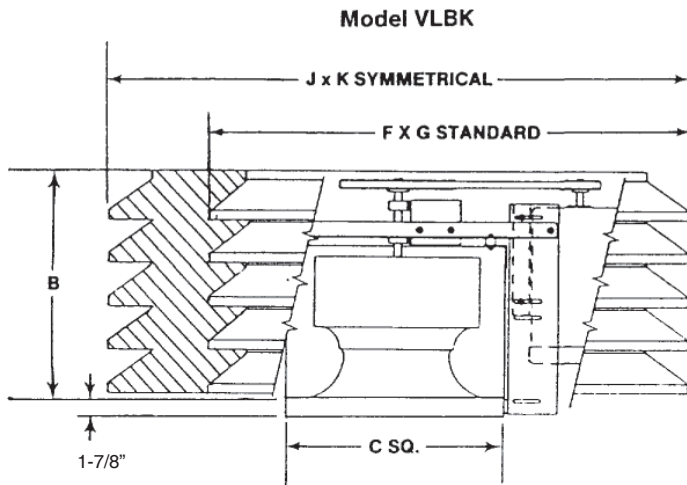


Standard Dimensions
(Metric on Reverse Side)

CARNES COMPANY 448 S. Main St., P. O. Box 930040, Verona, WI 53593-0040 Phone: (608)845-6411 Fax: (608)845-6504 www.carnes.com



STANDARD FEATURES

- Galvanized steel housing (aluminum optional).
- Galvanized birdscreen.
- Corrosion resistant, aluminum curb cap.
- Integral motor thermal overload protection on all standard single phase motors.
- Disconnect switch on all motors except explosion proof.
- Motors thru 10 HP are factory mounted.
- Adjustable V-belt drives.
- Non-overloading, backwardly inclined wheel.
- Isolated suspended motor wheel-drive assembly.
- Spark resistant construction through size 24.
- Polished CRS fan shaft with rust inhibitive coating.
- Two belt furnished on 5 HP and up.

BELT DRIVE

Field wiring of motor, disconnect and conduit are to be in accordance with specifications and local codes.

STANDARD DIMENSIONS LISTED IN INCHES

UNIT SIZE	Hood Size		Unit Height B	Inside Curb Cap C SQ.	Roof Opening SQ.	Curb O.D. SQ.	Damper Size SQ.	Unit Weight LBS.
	Standard F x G	Symmetrical J x K						
06	35 x 30	45-7/8 x 30	14-1/2	15-1/2	11	14	10	45
08	35 x 30	45-7/8 x 30	15-7/8	15-1/2	11	14	10	45
10	37-1/2 x 30	50-3/4 x 30	16-1/2	17-5/8	13	16	12	50
12	37-1/2 x 30	50-3/4 x 30	18-1/8	17-5/8	13	16	12	50
15	41-3/8 x 30	53-5/8 x 30	21	20-1/2	16	19	15	65
18	45-7/8 x 34-5/8	61-1/4 x 38	22-1/8	25	20-1/2	23-1/2	19	85
21	49 x 38	67-1/4 x 40	22-3/8	28-1/8	23-1/2	26-1/2	22	120
24	53-1/2 x 40	81-1/4 x 48-1/2	25-5/8	31-1/8	26-1/2	29-1/2	26	145
30	64-3/4 x 48-1/2	90-1/4 x 54-1/2	29-3/8	40-1/8	35-1/2	38-1/2	34	210
36	72-1/4 x 54-1/2	82-1/8 x 56-1/8	32-1/8	46-1/8	41-1/2	44-1/2	40	335
42	80-1/4 x 62-1/2	98 x 62-1/2	36-1/2	54-1/8	49-1/2	52-1/2	48	515
48	84-1/4 x 66-1/2	102 x 66-1/2	38-3/4	58-1/8	53-1/2	56-1/2	52	505
54	90-1/4 x 72-1/2	108 x 72-1/2	44-3/4	64-1/8	59-1/2	62-1/2	58	690

ABBREVIATIONS:

- OP = Open
- TE = Totally Enclosed
- XP = Explosion Proof
- 2S = Two Speed

ACCESSORIES:

- JCFAG = Roof curb – galvanized
- JDFAA = Roof curb – aluminum
- JDHAA = Automatic damper
- JDHAM = Motorized damper
- ARC = Epoxy coating
- PC = Prime coat

FAN NO. LOCATION	QTY	MODEL/SIZE	CFM	SP	FAN RPM	SONES	MOTOR			ACCESSORIES
							HP	ELECTRICAL	TYPE	

NOTES

PROJECT:

ARCHITECT:

CONTRACTOR:

DATE:

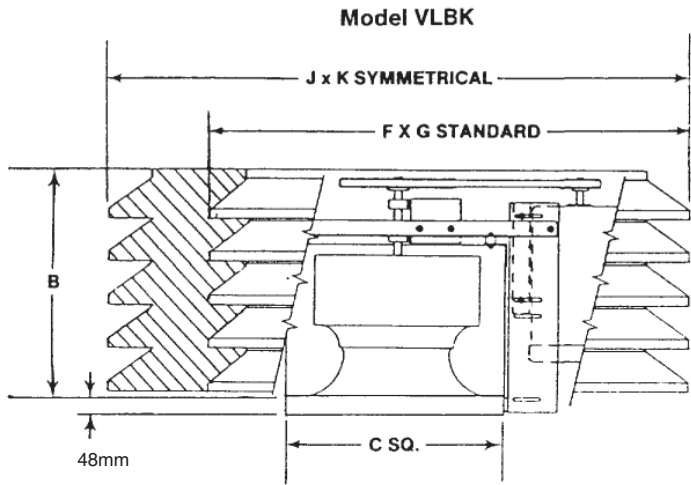
SUBMITTED BY:

ENGINEER:

Page _____ of _____

Metric Dimensions
(Standard on Reverse Side)

CARNES COMPANY 448 S. Main St., P. O. Box 930040, Verona, WI 53593-0040 Phone: (608)845-6411 Fax: (608)845-6504 www.carnes.com



STANDARD FEATURES

- Galvanized steel housing (aluminum optional).
- Galvanized birdscreen.
- Corrosion resistant, aluminum curb cap.
- Integral motor thermal overload protection on all standard single phase motors.
- Disconnect switch on all motors except explosion proof.
- Motors thru 10 HP are factory mounted.
- Adjustable V-belt drives.
- Non-overloading, backwardly inclined wheel.
- Isolated suspended motor wheel-drive assembly.
- Spark resistant construction through size 24.
- Polished CRS fan shaft with rust inhibitive coating.
- Two belt furnished on 5 HP and up.

BELT DRIVE

Field wiring of motor, disconnect and conduit are to be in accordance with specifications and local codes.

STANDARD DIMENSIONS LISTED IN MILLIMETERS

UNIT SIZE	Hood Size		Unit Height B	Inside Curb Cap C SQ.	Roof Opening SQ.	Curb O.D. SQ.	Damper Size SQ.	Unit Weight KG.
	Standard F x G	Symmetrical J x K						
06	889 x 762	1165 x 762	368	394	279	356	254	21
08	889 x 762	1165 x 762	403	394	279	356	254	21
10	953 x 762	1289 x 762	419	449	330	406	305	23
12	953 x 762	1289 x 762	460	448	330	406	305	23
15	1051 x 762	1362 x 762	533	521	406	483	381	30
18	1165 x 879	1476 x 879	562	635	521	597	483	39
21	1245 x 965	1556 x 965	568	714	597	673	559	54
24	1359 x 1016	1708 x 1016	651	791	673	749	660	66
30	1645 x 1232	2064 x 1232	746	1019	902	978	864	95
36	1835 x 1384	2292 x 1384	816	1172	1054	1130	1016	152
42	2038 x 1588	2489 x 1588	927	1374	1257	1334	1219	234
48	2140 x 1689	2591 x 1689	984	1476	1359	1435	1321	230
54	2292 x 1842	2743 x 1842	1137	1629	1511	1588	1473	313

ABBREVIATIONS:

- OP = Open
- TE = Totally Enclosed
- XP = Explosion Proof
- 2S = Two Speed

ACCESSORIES:

- JCFAG = Roof curb – galvanized
- JDFAA = Roof curb – aluminum
- JDHAA = Automatic damper
- JDHAM = Motorized damper
- ARC = Epoxy coating
- PC = Prime coat

FAN NO. LOCATION	QTY	MODEL/SIZE	CFM	SP	FAN RPM	SONES	MOTOR			ACCESSORIES
							HP	ELECTRICAL	TYPE	

NOTES

PROJECT:	ARCHITECT:
CONTRACTOR:	ENGINEER:
DATE:	SUBMITTED BY: