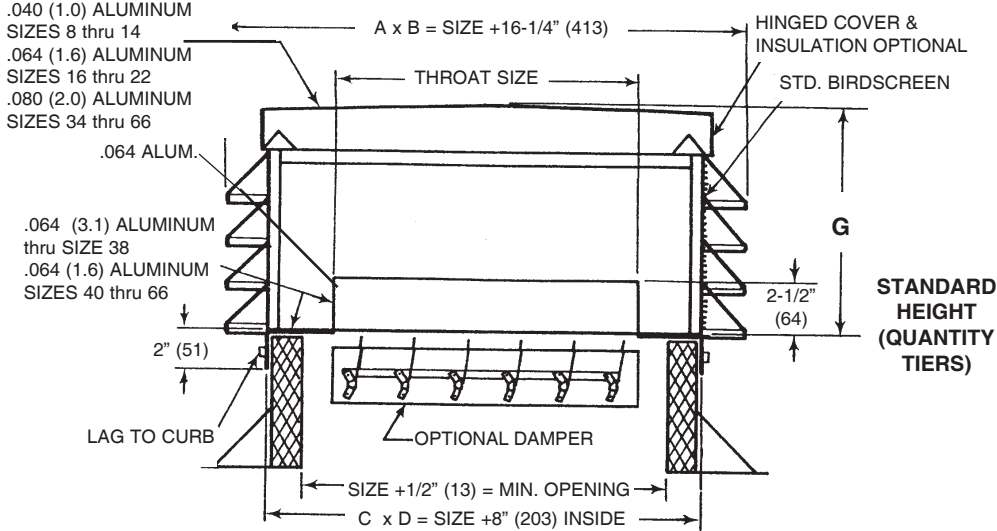


**IP [English] Dimensions**  
*SI (Metric) In Parentheses*

CARNES COMPANY 448 S. Main St., P. O. Box 930040, Verona, WI 53593-0040 Phone: (608)845-6411 Fax: (608)845-6504 www.carnes.com

**Imperial [IP] Dimensions Listed in Inches and Metric (SI) in Millimeter**



**NOTE:** CURB OUTSIDE DIMENSION EQUALS SIZE +6-1/2" (165)

**STANDARD FEATURES:**

- Birdscreen Galv. 1/2" Mesh
- Welded, Curb Cap
- Completely Assembled
- All Aluminum Construction
- Mitered and Welded Corners

**OPTIONAL ACCESSORIES:**

- Hinged Covers
- ARC Epoxy Finish
- Prime Coat
- Roof Curbs
- Backdraft Dampers
- Aluminum Screen
- Filter Racks
- Insulated Lid

**CAUTION** - Extended height roof curb, drain pans, or ductwork drains are recommended to reduce the potential of rain or snow entering the building.

LOCATION/ MARK	QUANTITY	THROAT SIZE	THROAT AREA	HEIGHT G	CFM	IN. W.G.	ACCESSORIES

NOTES:

PROJECT:				ARCHITECT:			
CONTRACTOR:		DATE:		SUBMITTED BY:		ENGINEER:	