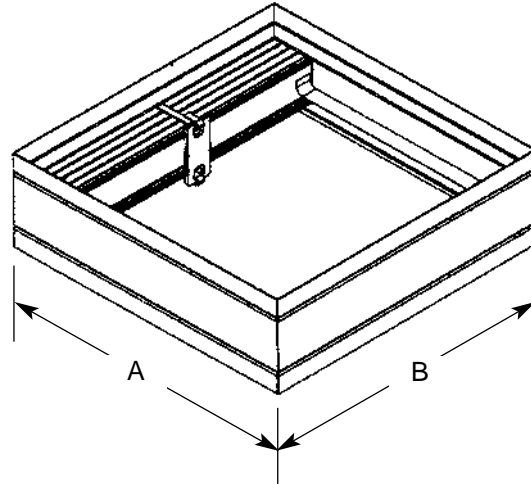
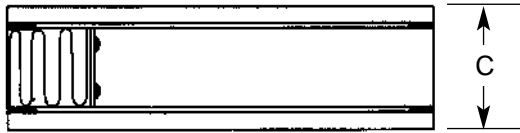


Imperial [IP] Dimensions
Metric (SI) in Parentheses

CARNES COMPANY 448 S. Main St., P. O. Box 930040, Verona, WI 53593-0040 Phone: (608)845-6411 Fax: (608)845-6504 www.carnes.com



A	B	C
16-15/16" (431)	13-15/16" (354)	5-1/4" (134)

STANDARD CONSTRUCTION

Frame
 20 gauge galvanized steel.

Blade
 22 gauge galvanized steel and non-asbestos insulation.

Fusible Link
 165° F (74°C) is standard.

APPLICATION

UL Fire Rated Floor/Ceiling Assemblies and Roof/Ceiling Assemblies require specially tested and classified Ceiling Dampers (also called Ceiling Fire Dampers or Radiation Dampers) to provide fire and heat protection where HVAC components penetrate the ceiling membrane. Standard, 1-1/2 and 3 hour primary fire dampers DO NOT provide the necessary protection.

Carnes model VXCBQD is UL Classified to provide protection of ceiling openings in fire rated floor/ceiling assemblies with fire resistance ratings of 3 hours or less.

UL CLASSIFIED
 UL555C Listing R8039