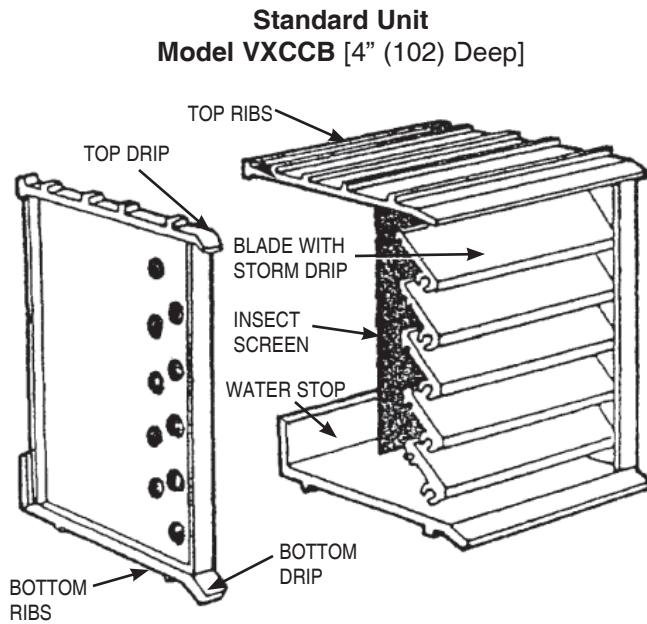


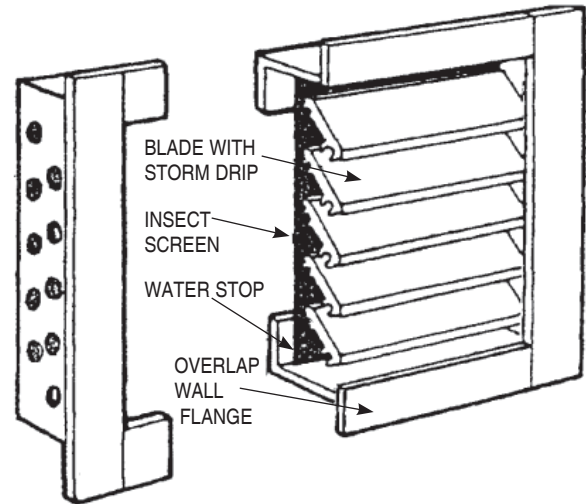
Imperial [IP] Dimensions
Metric (SI) in Parentheses

CARNES COMPANY 448 S. Main St., P. O. Box 930040, Verona, WI 53593-0040 Phone: (608)845-6411 Fax: (608)845-6504 www.carnes.com



ADD 1/4" (6) To Nominal Height For Ribs

Flanged Unit
Model VXCCB
[1-1/2" (38) Deep with 1" (25) Face Flange]



ADD 1/4" (6) To Nominal Height For Mechanical Fasteners

Standard Features

- Blades are 1" (25) deep, 1" (25) spaced, 45° angle.
- Frame and blades are aluminum extrusions, min. .125" (3) thick.
- Two frame styles available.
- Custom sizes available.
- Provides maximum protection against water entering building.
- All units are provided with 204-R1 clear anodized finish as standard. Medium or dark bronze anodized or baked enamel are available.
- Aluminum insect screen, 18" x 16" (457 x 406) aluminum mesh is standard.

4" (102) Deep [Standard] Model and Number	Flange Model and Number	Nominal Sizes Width x Height*** [See notes below]
VXCCB10051S	VXCCB10051F	8-1/8" x 2-3/8" (206 x 60)
VXCCB11051S	VXCCB11051F	8-1/8" x 4-3/4" (206 x 121)
VXCCB12051S	VXCCB12051F	8-1/8" x 7-3/4" (206 x 197)
VXCCB13051S	VXCCB13051F	12" x 2-3/8" (305 x 60)
VXCCB14051S	VXCCB14051F	12" x 4-3/4" (305 x 121)
VXCCB15051S	VXCCB15051F	12" x 7-3/4" (305 x 197)
VXCCB16051S	VXCCB16051F	12" x 11-3/4" (305 x 299)
VXCCB17051S	VXCCB17051F	15-5/8" x 7-3/4" (397 x 197)
VXCCB18051S	VXCCB18051F	15-5/8" x 15-3/4" (397 x 400)
VXCCB19051S	VXCCB19051F	16-1/2" x 2-3/8" (419 x 60)
VXCCB20051S	VXCCB20051F	16-1/2" x 4-3/4" (419 x 121)
VXCCB21051S	VXCCB21051F	16-1/2" x 7-3/4" (419 x 197)
VXCCB22051S	VXCCB22051F	16-1/2" x 15-3/4" (419 x 400)
VXCCB23051S	VXCCB23051F	24" x 2-3/8" (610 x 60)
VXCCB24051S	VXCCB24051F	24" x 4-3/4" (610 x 121)
VXCCB25051S	VXCCB25051F	24" x 7-3/4" (610 x 197)
VXCCB26051S	VXCCB26051F	32" x 7-3/4" (812 x 197)
VXCCB17051S	VXCCB27051F	48" x 7-3/4" (1219 x 197)

- ***NOTES: 1. 4" (102) deep, Model VXCCB with standard frame will finish 1/4" (6) higher than nominal height listed due to structural ribs on top and bottom.
2. Flange vent, Model VXCCB with flange frame, is 1-1/2" (38) deep with 1" (25) front flange on four sides. Will finish 1/4" (6) wider than nominal width listed due to mechanical fastener heads on sides.