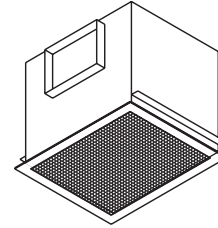


CEILING/WALL-MOUNT VENTILATORS • 120V



Form 11218-A
Page 1

READ AND SAVE THESE INSTRUCTIONS

WARNING

TO REDUCE THE RISK OF FIRE, ELECTRICAL SHOCK, OR INJURY TO PERSONS, OBSERVE THE FOLLOWING:

1. Use this unit only in the manner intended by the manufacturer. If you have questions, contact the manufacturer at the address or telephone number listed.
2. Before servicing or cleaning unit, switch power off at service panel and lock the service disconnecting means to prevent power from being switched on accidentally. When the service disconnecting means cannot be locked, securely fasten a prominent warning device, such as a tag, to the service panel.
3. Installation work and electrical wiring must be done by a qualified person(s) in accordance with all applicable codes and standards, including fire-rated construction codes and standards.
4. Sufficient air is needed for proper combustion and exhausting of gases through the flue (chimney) of fuel burning equipment to prevent backdrafting. Follow the heating equipment manufacturer's guidelines and safety standards such as those published by the American Society for Heating, Refrigeration and Air Conditioning Engineers (ASHRAE), and the local code authorities.
5. When cutting or drilling into wall or ceiling, do not damage electrical wiring and other hidden utilities.
6. Ducted fans must always be vented to the outdoors.
7. To reduce the risk of fire, use only metal ductwork.
8. If this unit is to be installed over a tub or shower, it must be marked as appropriate for the application and be connected to a GFCI (Ground Fault Interrupter) - protected branch circuit.
9. Never place a switch where it can be reached from a tub or shower.
10. This unit must be grounded.

CAUTION

1. For general ventilating use only. Do not use to exhaust hazardous or explosive materials and vapors.
2. To avoid motor bearing damage and noisy and/or unbalanced impellers, keep drywall spray, construction dust, etc. off power unit.
3. Please read specification label on product for further information and requirements.

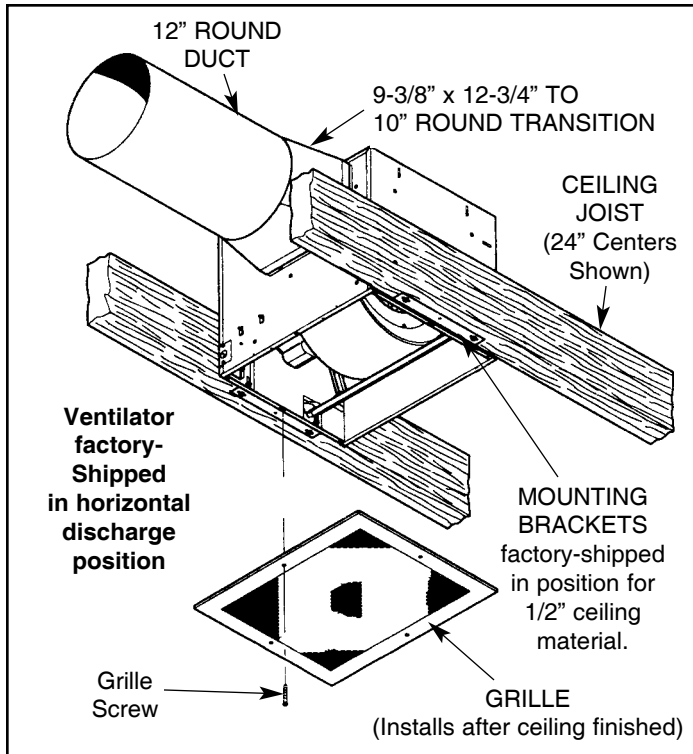
TABLE OF CONTENTS

This manual is divided into sections as follows:

- **“TYPICAL INSTALLATION”**
This sections shows a common installation in new and existing, frame construction.
 - Mounting (new construction)
 - Mounting (existing construction)
 - Wiring
 - Ducting (straight-through blower discharge)
- **“DUCTING OPTIONS”**
 - Blower Discharge Positions
 - Ducting (right-angle blower discharge)
- **“USE AND CARE”**
- **“WARRANTY”**
- **“SERVICE PARTS”**

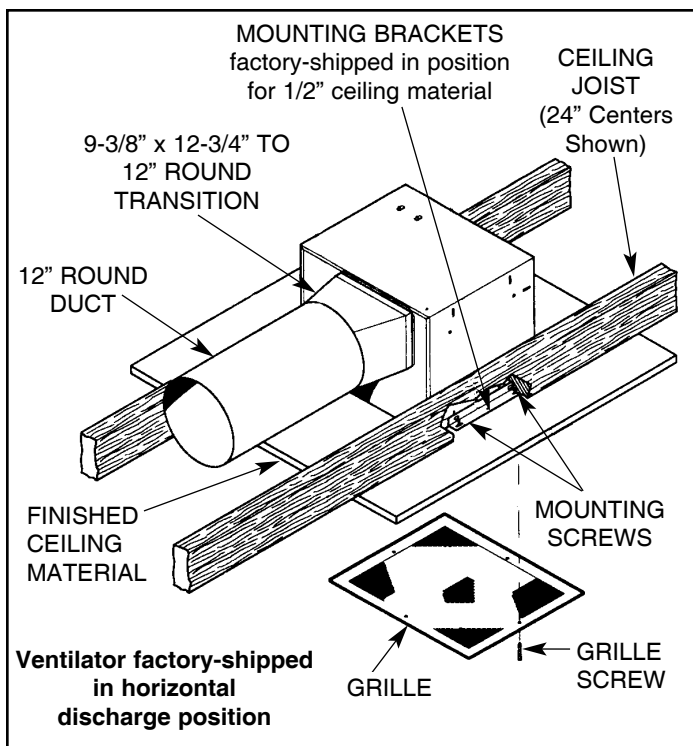
TYPICAL INSTALLATION

MOUNTING (*New Frame Construction*)



Factory-shipped unit installed in *new* construction.

MOUNTING (*Existing Frame Construction*)



Factory-shipped unit installed in *existing* construction.

TYPICAL INSTALLATION

WIRING - 115V, 60 Hz., 1 Phase

UNIT SIZE	WIRE CONNECTION
170	YELLOW TO L1, ORANGE TO L2 SEPARATE BROWN AND INSULATE SEPARATE BLUE AND INSULATE
130	YELLOW TO L1, BROWN TO L2 SEPARATE ORANGE AND INSULATE SEPARATE BLUE AND INSULATE
090	YELLOW TO L1, BLUE TO L2 SEPARATE ORANGE AND INSULATE SEPARATE BROWN AND INSULATE
Speed Control	INSTALL INLINE BETWEEN L2 AND ORANGE, BROWN OR BLUE CORRESPONDING TO UNIT SIZE

Use U.L. approved connectors to wire per local codes. Connect ground wire to bottom of conduit box.

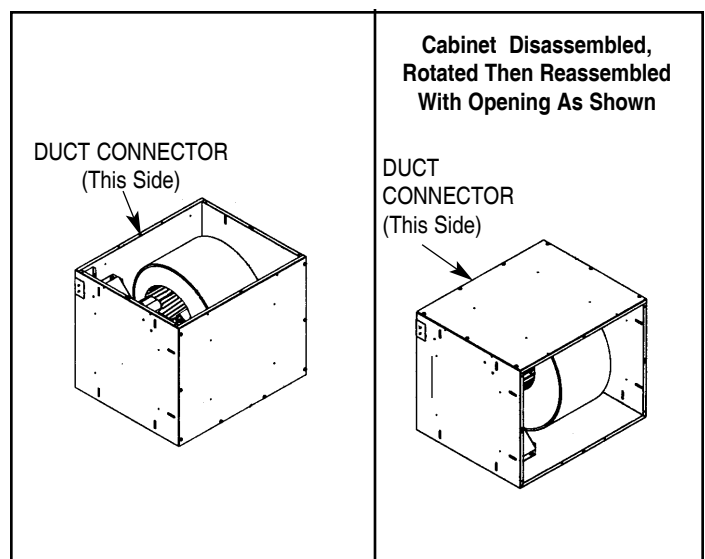
IMPORTANT:

Remove shipping tape from damper.

Remove the shipping tape from the damper flap and make sure that damper flap opens and closes freely inside the ductwork. Use duct tape to make ductwork connections secure and air-tight.

DUCTING OPTIONS

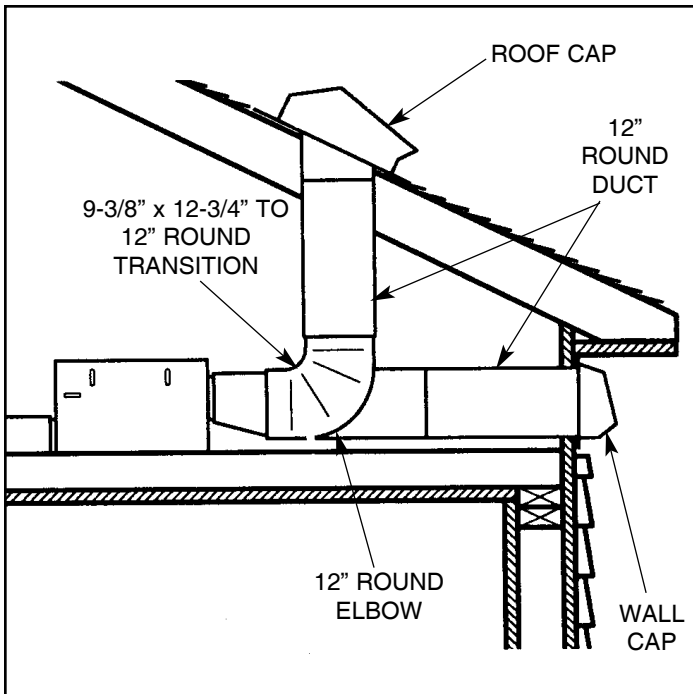
BLOWER DISCHARGE POSITIONS



Horizontal discharge position. (Factory Shipped)

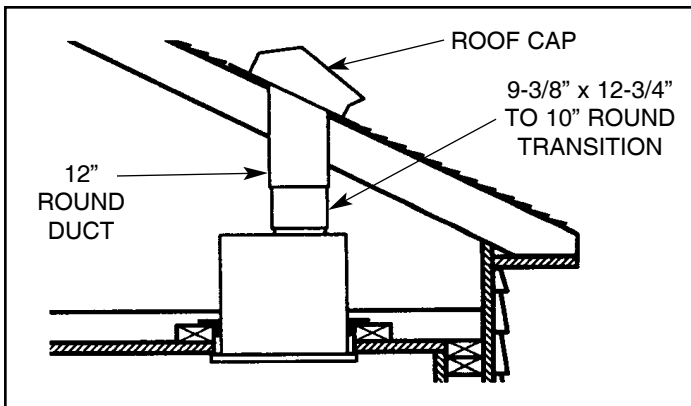
Vertical discharge position.

DUCTING (Horizontal blower discharge)



Two ways to connect ductwork to a factory-shipped unit.

DUCTING (Vertical blower discharge)



Typical ductwork connection to a ventilator converted to vertical discharge.

USE AND CARE

Ventilator is designed for continuous operation. If desired, it may be controlled using an on/off switch or a solid-state, variable speed control. Follow wiring instructions packed with control, and adhere to all local and state codes, and the National Electrical Code.



WARNING: To reduce the risk of electric shock, disconnect from power supply before servicing.

To clean blower assembly: Remove grille, disassemble two cabinet halves, unplug blower from housing, remove blower mounting nuts, and carefully remove blower from housing. Use appropriate vacuum attachment or a soft cloth and mild soap or detergent to clean blower discharge area and wheel. **DO NOT ALLOW WATER TO ENTER THE MOTOR.** Make sure blower assembly is completely dry before reinstalling.

Motor is permanently lubricated. Do not oil or disassemble motor.

WARRANTY

Seller warrants products manufactured by it and supplied hereunder to be free from defects in materials and workmanship under normal use and proper maintenance for a period of twelve months from date of shipment. If within such period any such products shall be proved to Seller's reasonable satisfaction to be defective, such products shall be repaired or replaced at Seller's option. Seller's obligation and Buyer's exclusive remedy hereunder shall be limited to such repair and replacement and shall be conditioned upon Seller's receiving written notice of any alleged defects no later than 10 days after its discovery within the warranty period and, at Seller's option, the return of such products to Seller, f.o.b. its factory, when such return is feasible. Seller reserves the right to satisfy its warranty obligation in full by reimbursing Buyer for all payments it makes hereunder, and Buyer shall thereupon return the products to Seller. Seller shall have the right to remedy such defects.

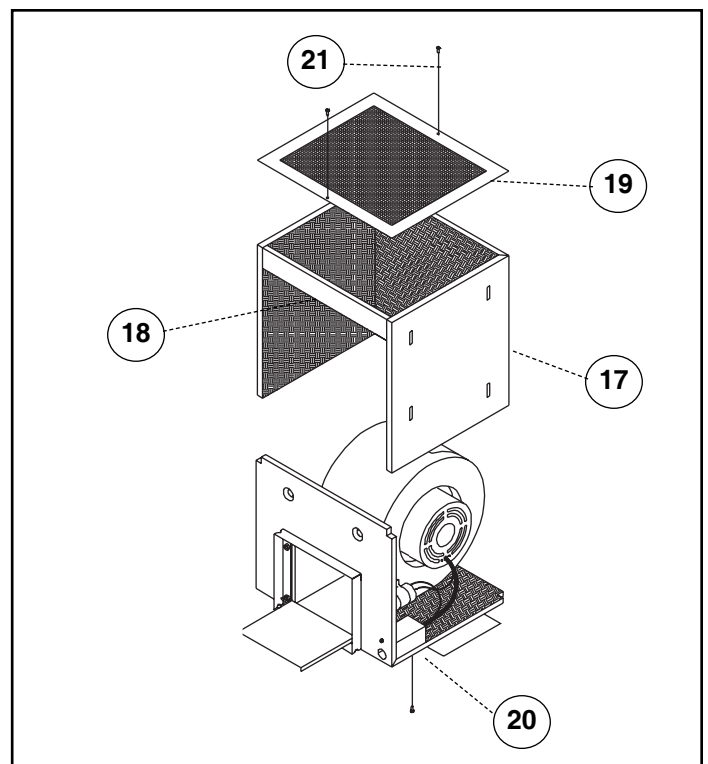
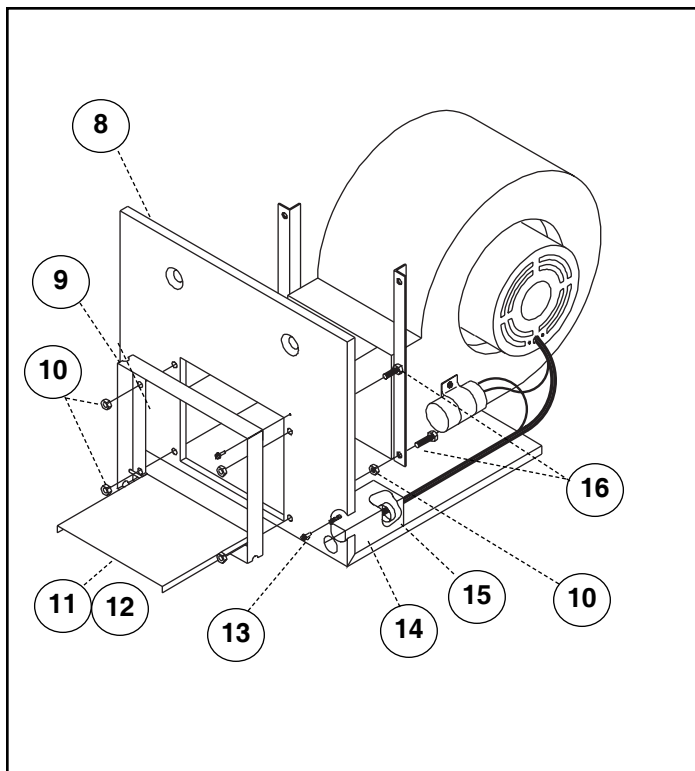
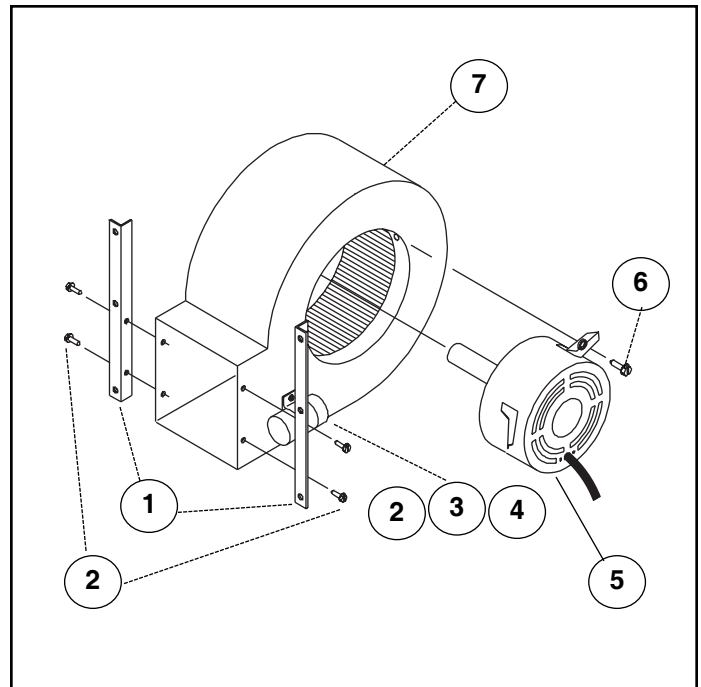
THE FOREGOING WARRANTIES ARE EXCLUSIVE AND IN LIEU OF ALL OTHER EXPRESS AND IMPLIED WARRANTIES (EXCEPT TO TITLE) INCLUDING BUT NOT LIMITED TO IMPLIED WARRANTIES OF MERCHANTABILITY FITNESS FOR A PARTICULAR PURPOSE, PERFORMANCE, OR OTHERWISE, and in no event shall the Seller be liable for claims (based upon breach of express or implied warranty, negligence, product liability, or otherwise) for any other damages, whether direct, immediate, incidental, foreseeable, consequential, or special.

SERVICE PARTS

KEY NO.	PART NO.	DESCRIPTION	QTY. REQ.
1	384-9201	Mounting Bracket	4
2	998-0028	Screw — #10 x 3/4" Self Drilling	5
3	999-6313	7 MFD Capacitor	1
4	402-2681	Capacitor Strap	1
5	992-3371	Motor (1/2 HP, 3 Speed)	1
6	999-0069	Screw — 1/4-20 x 3/4"	3
7	999-2565	Blower Assembly (10 x 8)	1
8	384-9102	Fan Panel	1
9	384-9122	Discharge Flange	1
10	999-4701	Nut — 1/4-20	8
11	384-9142	Pivot Rod	1
12	384-9132	Damper Blade	1
13	999-0022	Screw — #10 x 1/2"	6
14	384-9181	Conduit Box	1
15	999-9916	Cable Connector	1
16	999-0040	HHCS — 1/4-20 x 7/8"	4
17	384-9112	Ceiling Fan Housing	1
18	384-9162	Housing Angle	1
19	384-9212	Perforated Steel Grille	1
20	999-9928	Cover Plate	1
21	901-0740	Screw Pkg	1

Order replacement parts by PART NO. - not by KEY NO.

SERVICE PARTS



CARNES®

448 South Main Street
P. O. Box 930040
Verona, WI 53593-0040

Phone: 608.845.6411 • Fax: 608.845.6470 • www.carnes.com • carnes@carnes.com