

CARNES®

MODEL VCDD008C CEILING EXHAUST FAN

READ AND SAVE THESE INSTRUCTIONS

WARNING

TO REDUCE THE RISK OF FIRE, ELECTRICAL SHOCK, OR INJURY TO PERSONS, OBSERVE THE FOLLOWING:

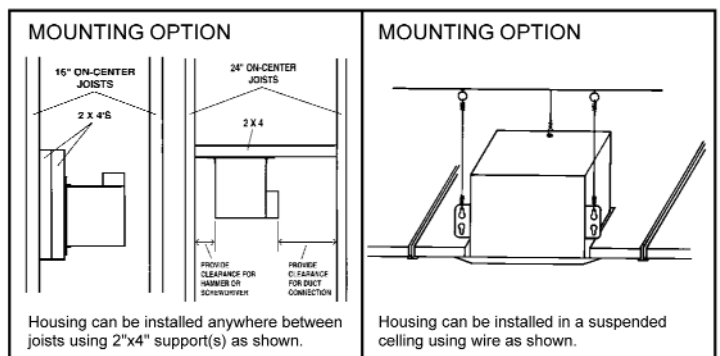
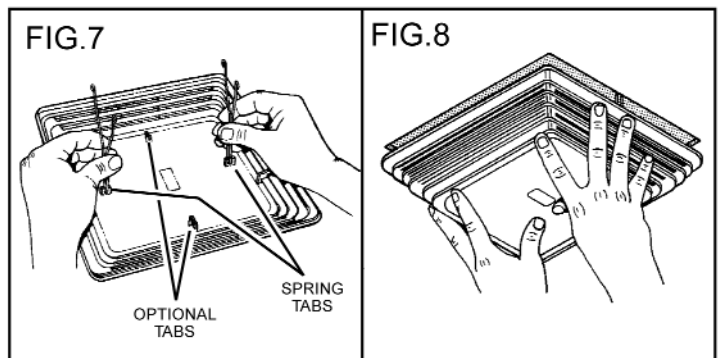
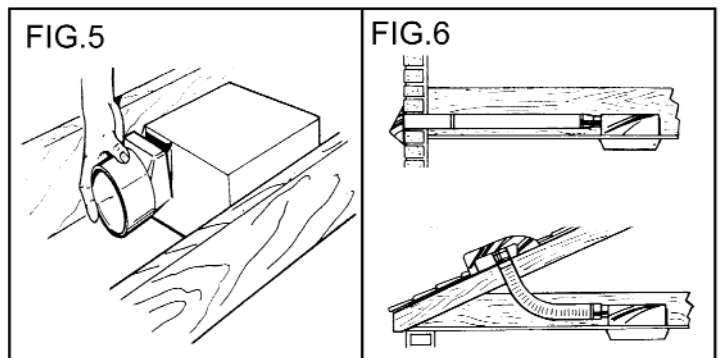
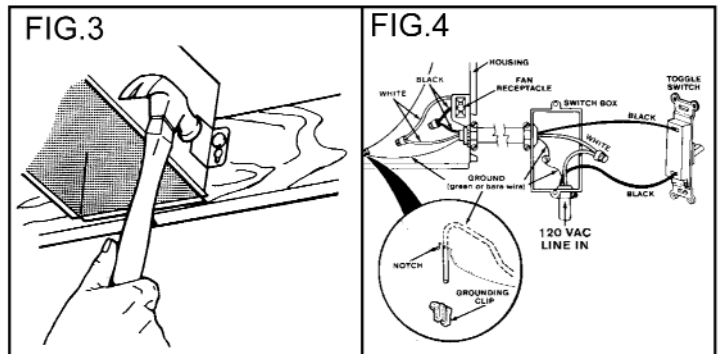
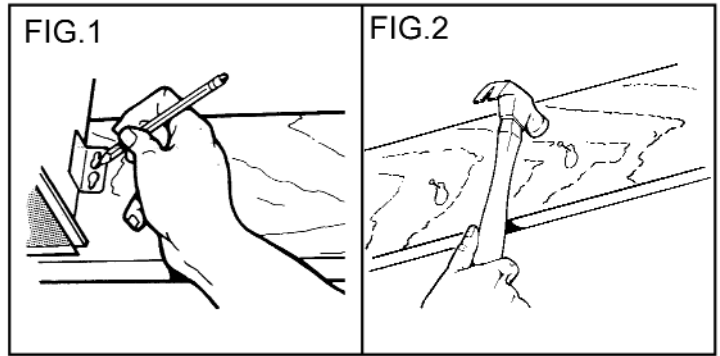
1. Use this unit only in the manner intended by the manufacturer. If you have questions, contact the manufacturer at the address or telephone number listed in the warranty.
2. Before servicing or cleaning unit, switch power off at service panel and lock the service disconnecting means to prevent power from being switched on accidentally. When the service disconnecting means cannot be locked, securely fasten a prominent warning device, such as a tag, to the service panel.
3. Installation work and electrical wiring must be done by a qualified person(s) in accordance with all applicable codes and standards, including fire-rated construction codes and standards.
4. Sufficient air is needed for proper combustion and exhausting of gases through the flue (chimney) of fuel burning equipment to prevent backdrafting. Follow the heating equipment manufacturer's guideline and safety standards such as those published by the National Fire Protection Association (NFPA), and the American Society for Heating, Refrigeration and Air Conditioning Engineers (ASHRAE), and the local code authorities.
5. When cutting or drilling into wall or ceiling, do not damage electrical wiring or other hidden utilities.
6. Ducted fans must always be vented to the outdoors.
7. If this unit is to be installed over a tub or shower, it must be marked as appropriate for the application.
8. NEVER place a switch where it can be reached from a tub or shower.
9. This unit must be grounded.

CAUTION

1. For general ventilation use only. Do not use to exhaust hazardous or explosive materials and vapors.
2. To avoid motor bearing damage and noisy and/or unbalanced impellers, keep drywall spray, construction dust, etc. off power unit.
3. Please read specification label on product for further information and requirements.

INSTALLATION

1. Unplug motor. Remove screw next to motor plug. Remove motor and blower assembly. Store motor/blower assembly and grille in carton until needed.
2. Choose the location for your fan. For best possible performance, use the shortest possible duct run and a minimum number of elbows. Position mounting brackets against joist so that bottom edge of housing will be flush with finished ceiling. A handy measuring guide is embossed on the housing to make it easy. Mark the top keyhole slot on both mounting brackets (FIG. 1). Set housing aside and drive nails partially into joist at the top of both keyhole marks (FIG. 2). Hang unit from nails and drive nails tight. To ensure a noise-free mounting, drive another nail through the lower hole of each mounting bracket (FIG. 3).
3. Wire unit following diagram (FIG. 4). Run electrical cable directly as possible to unit. Do not allow cable to touch sides or top of unit after installation is complete. **WARNING:** Do not allow wires to hang over edge of scroll band. Push all wiring up into corner of unit. Wire left hanging over this edge will become pinched or severed when fan assembly is installed. Electrical shock may result.
4. Snap the damper/duct connector onto housing (FIG. 5). Make sure that tabs on the connector lock into slots in housing. Top of damper/duct connector should be flush with top of housing. Connect 4" round duct to damper/duct connector and extend duct to outside through a roof or wall cap (FIG. 6). Check damper to make sure that it opens freely. Tape all duct connections to make them secure and air tight.
5. Slide motor/blower assembly into housing. Fasten motor plate with screw removed in step 1. Plug in motor.
6. Squeeze ends of spring fastener together and insert fastener into slot provided in motor plate. **NOTE:** If desired, rotate grill 90° and move springs to optional tabs (FIG. 7). Push grille up to ceiling (FIG. 8).



CARNES®

CEILING EXH1

MODEL NO. VCDD008C

PARTS LIST

KEY NO.	PART NUMBER	DESCRIPTION	QTY.
1	97013576	Grille Assembly (Includes springs)	1
2	97006987	Motor Plate	1
3	99080518	Motor	1
4	99020276	Blower Wheel	1
5	99270748	Receptacle	1
6	97011297	Housing	1
7	97003932	Damper Assembly	1
8	99390015	Grounding Clip	1
9	99170245	#8 x 3/8 Screw	1
10	99260425	#8-32 Hex Keps Nut	2
11	99100399	Rubber Spacer	2

