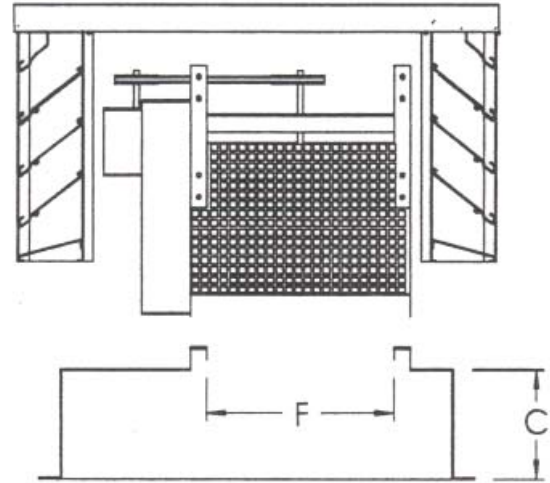
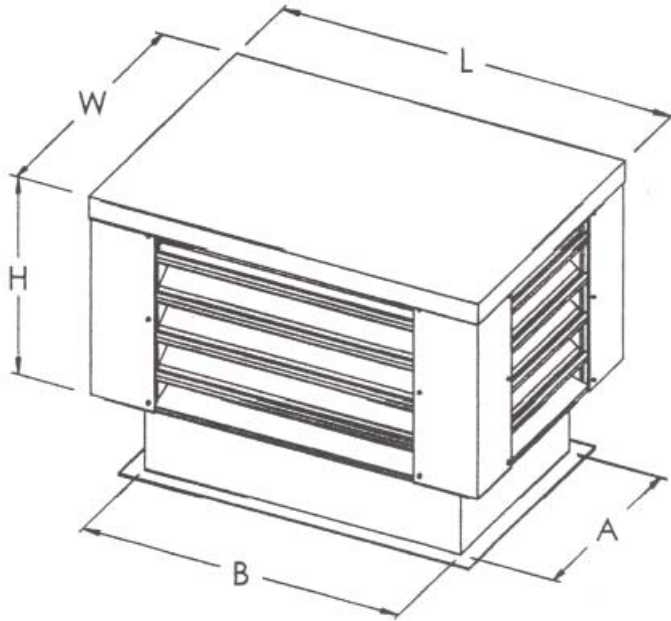


**Imperial [IP] Dimensions  
Listed in Inches**

CARNES COMPANY 448 S. Main St., P. O. Box 930040, Verona, WI 53593-0040 Phone: (608)845-6411 Fax: (608)845-6504 www.carnes.com



**STANDARD FEATURES:**

- Louver Frame: Heavy gauge 6" x .125" thick 6063T5 extruded aluminum.
- Louver Blade: Drainable design .125" thick 6063T5 extruded aluminum, mechanically fastened and welded to jambs on the back side of blade, set on 38° angles. (Bottom blade opening varies.)
- Roof: .080 formed aluminum.
- Birdscreen: Standard .0516 x 3/4" flattened expanded aluminum.

| Unit Size | Dimensions |     |    | Curb OD |       |   | Curb Throat |
|-----------|------------|-----|----|---------|-------|---|-------------|
|           | W          | L   | H  | A       | B     | C | F           |
| 6         | 36         | 41  | 23 | 27.25   | 32.25 | C | 11.25       |
| 8         | 36         | 41  | 23 | 27.25   | 32.25 | C | 11.25       |
| 10        | 36         | 44  | 23 | 27.25   | 35.25 | C | 13.38       |
| 12        | 36         | 44  | 23 | 27.25   | 35.25 | C | 13.38       |
| 15        | 36         | 48  | 26 | 27.25   | 39.25 | C | 16.25       |
| 18        | 47         | 52  | 29 | 38.25   | 43.25 | C | 20.75       |
| 21        | 50         | 61  | 30 | 41.25   | 52.25 | C | 23.88       |
| 24        | 53         | 65  | 34 | 44.25   | 56.25 | C | 26.88       |
| 30        | 61         | 77  | 38 | 52.25   | 68.25 | C | 35.88       |
| 36        | 67         | 84  | 39 | 58.25   | 75.25 | C | 41.88       |
| 42        | 75         | 92  | 43 | 66.25   | 83.25 | C | 49.88       |
| 48        | 79         | 96  | 46 | 70.25   | 87.25 | C | 53.88       |
| 54        | 85         | 102 | 52 | 76.25   | 93.25 | C | 59.88       |

**OPTIONS:**

- Insect Screen
- Mill Finish (Standard)
- Enamel Finish
- Kynar Finish\*
- Powder Coated
- Filters
- Hinged Roof
- Roof Condensation Coating
- Insulated Roof Hood
- Internal Access Ladder

\*Kynar finish available in limited sizes. Consult factory for availability.

Miami-Dade County, FL  
NOA No: 04-1209.01  
Expiration Date: March 17, 2010