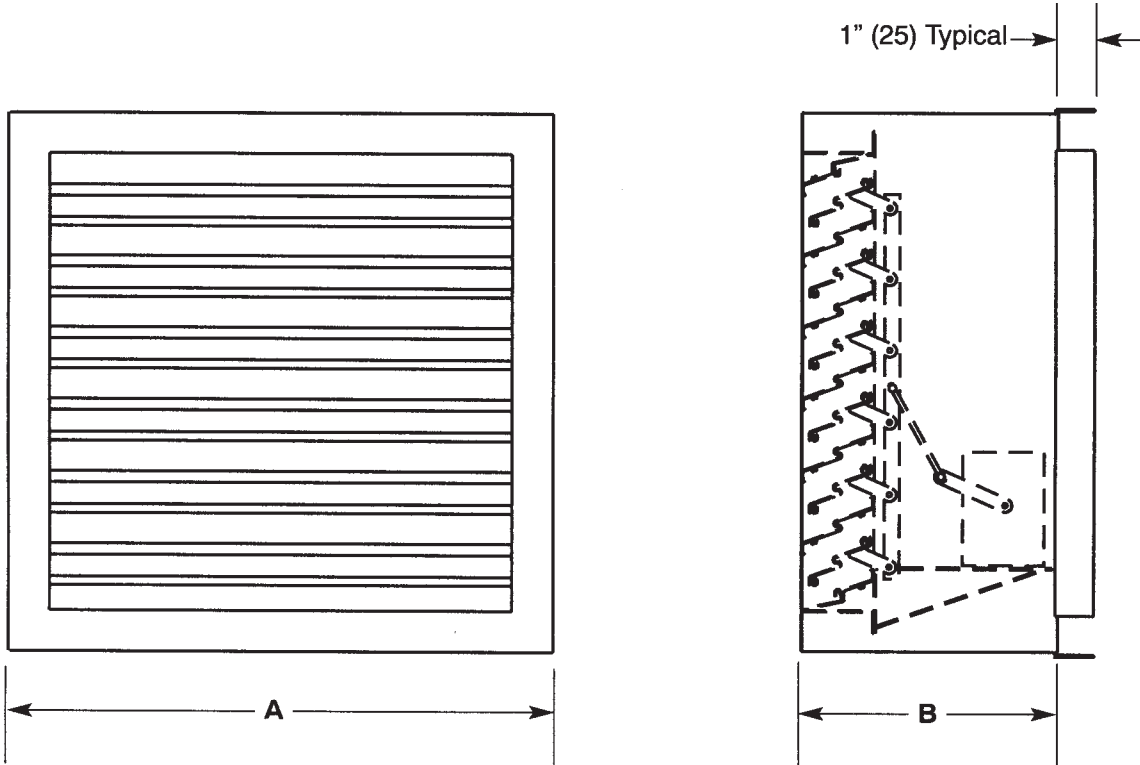


**Imperial [IP] Dimensions**  
**Metric (SI) in Parentheses**

**Extruded Aluminum Combination Operable Louver/Damper**

CARNES COMPANY 448 S. Main St., P. O. Box 930040, Verona, WI 53593-0040 Phone: (608)845-6411 Fax: (608)845-6504 www.carnes.com



**WALLBOX EXTENSION:**

**FINISHES:**

Mill Finish is standard.

**OPTIONAL FINISHES:**

- Air Dry Enamel to match.
- Acid Resistant coating (ARC, Epoxy).
- Air Dry Heresite.
- Gray Electrocoat.

**LOUVER:**

**FINISHES:**

Mill Finish is standard.

**OPTIONAL FINISHES:**

- Baked Enamel.
- Kynar.
- Clear Anodized.
- Dark Bronze Anodized.

Unit	DIMENSIONS						
	24	30	36	42	48	54	60
"A"	30-1/4"	36-1/4"	42-1/4"	48-1/4"	54-1/4"	60-1/4"	66-1/4"
Square	(768)	(920)	(1073)	(1225)	(1377)	(1530)	(1683)
"B"	14"	14"	14"	14"	14"	14"	14"
Dimension	(401)	(401)	(401)	(401)	(401)	(401)	(401)
Gauge	18 galv.	18 galv.	18 galv.	18 galv.	18 galv.	18 galv.	18 galv.