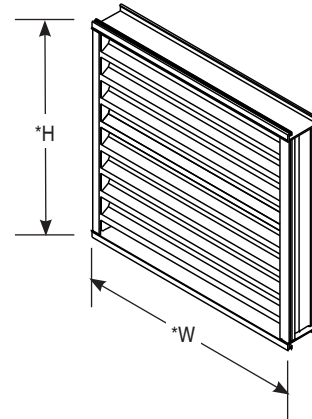
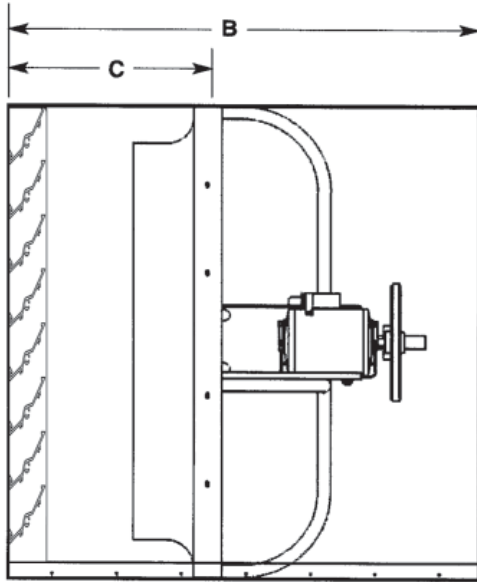


CARNES COMPANY 448 S. Main St., P. O. Box 930040, Verona, WI 53593-0040 Phone: (608)845-6411 Fax: (608)845-6504 www.carnes.com



Model FTBB

Standard Specifications

Frame: flanged frame, .081 extruded aluminum, 4-1/8" deep

Blades: .081 extruded aluminum positioned on a 37° angle on approximately 2.879" centers

Finish: mill aluminum (standard), custom colors and finishes are also available

Screen: 3/4" x .051" flattened aluminum in removable frame. Screen is mounted as standard on inside (rear) as looking from exterior of building.

Options Finishes

- Prime Coat
- Epoxy
- Anodize (clear or dark bronze)
- Heresite
- Kynar
- Baked Enamel

| FAN SIZE | LOUVER SIZE (WALL BOX I.D.) | LOUVER MODEL NUMBER (for mounting on a Wall Box or Wall Collar) |
|----------|--------------------------------|---|
| 20 | 22-1/2" SQ. | FTBB02240224220 |
| 24 | 26-1/2" SQ. | FTBB02640264220 |
| 30 | 32-1/2" SQ. | FTBB03240324220 |
| 36 | 38-1/2" SQ. | FTBB03840384220 |
| 42 | 44-1/2" SQ. | FTBB04440444220 |
| 48 | 50-1/2" SQ. | FTBB05040504220 |
| 54 | 56-1/2" SQ. | FTBB05640564220 |
| 60 | 62-1/2" SQ. | FTBB06240624220 |