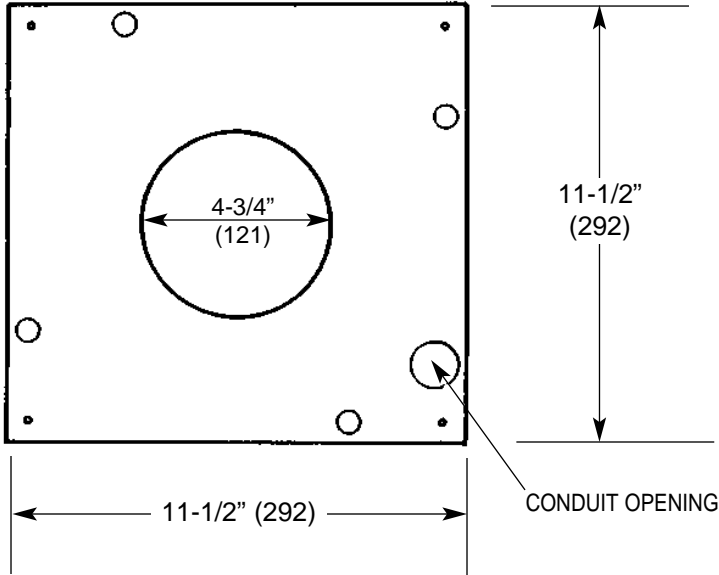


**Imperial [IP] Dimensions
Metric (SI) in Parentheses**

CARNES COMPANY 448 S. Main St., P. O. Box 930040, Verona, WI 53593-0040 Phone: (608)845-6411 Fax: (608)845-6504 www.carnes.com

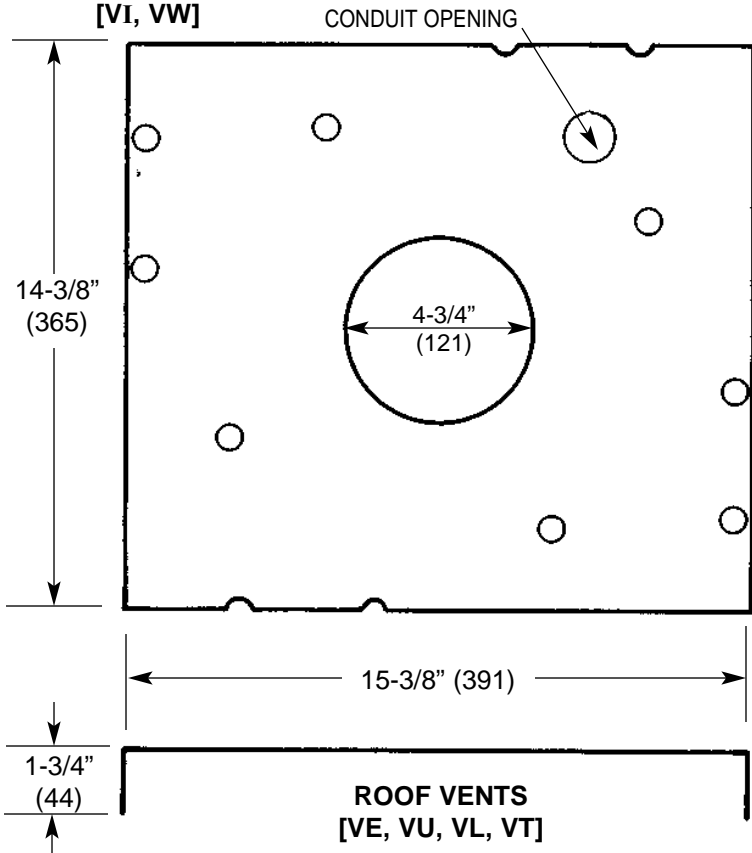
For Use With K-Series Ventilators



MODEL VXFAV

- Vertical mount
- .063 aluminum
- Mill finish
- Mounts to inlet venturi:
Utilizes existing fasteners on inline duct fans. Self-tapping screws supplied for attachment to wall vents.

INLINE & WALL VENTS [VI, VW]



MODEL VXFAH

- Horizontal mount
- .063 aluminum
- Mill finish
- Mounts between roof curb and ventilator.
Held in position when vent is secured to roof curb.