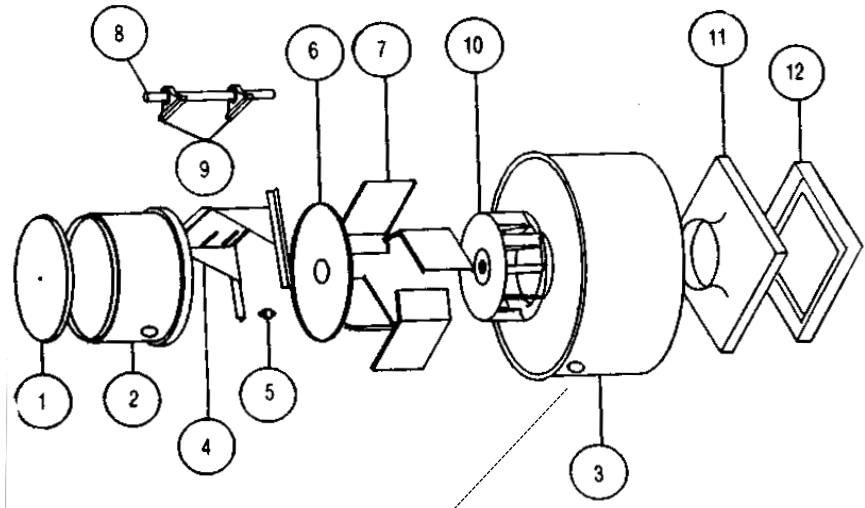


CARNES COMPANY 448 S. Main St., P. O. Box 930040, Verona, WI 53593-0040 Phone: (608)845-6411 Fax: (608)845-6504 www.carnes.com

Unit Size	Volt Code	Motor Type	Unit Construction	
			Standard	Extended
06-18	A,B,D	1	1/2 HP & Lower	3/4 HP & Higher
		2	1/4 HP & Lower	1/3 HP & Higher
		5	1/3 HP & Lower	1/2 HP & Higher
		6		ALL
	C,E,G,H	1,5,8,9	3/4 HP & Lower	1 HP & Higher
		2,6,7		ALL
21-24	A,B,D	1,2,5,6	ALL	
	C,E,G,H	1,5,7,8,9	5 HP & Lower	7-1/2 HP & Higher
		2,6	2 HP & Lower	3 HP & Higher

VWBK 06 - 24



Drain Plug all sizes
999-6983

Motor Type

- 1 = ODP
- 2 = 2 Spd. 2 Winding
- 5 = TE
- 6 = Exp. Proof
- 7 = 2 Spd. 1 Winding
- 8 = ODP High Eff.
- 9 = TE High Eff.

Volt Code

- A = 115 1ø
- B = 208 1ø
- C = 208 3ø
- D = 230 1ø
- E = 230 3ø
- G = 460 3ø
- H = 575 3ø

STANDARD CONSTRUCTION

Unit Size	Motor Cover		Shroud		Motor 4 Mount Assem'y	Vibration 5 Isolators (4 Req'd)	Fan 6 Plate
	Lid 1	Tube 2	Outer/ Lower 3	Upper			
06	384-6521	384-6503	384-6442	--	384-0661	384-0700	384-2511
08	384-6521	384-6503	384-6442	--	384-0661	384-0700	384-2511
10	384-6521	384-6503	384-6444	--	384-0661	384-0700	384-2512
12	384-6521	384-6503	384-6444	--	384-0661	384-0700	384-2512
15	384-6522	384-6506	384-6445	--	384-0663	384-0700	384-2513
18	384-6523	384-6509	384-6471	384-6491	384-0665	384-0700	384-2514
21	384-6524	384-6511	384-6472	384-6492	384-0667	384-0700	384-2515
24	384-6525	384-6513	384-6473	384-6493	384-0669	384-0700	384-2516

STANDARD CONSTRUCTION (Continued)

Unit Size	Diffusers 7 (Set of 4)	Fan 8 Shaft	Pillow 9 Block Bearings (2 Req'd)	Wheel 10	Wall 11 Mounting Cap	Mounting 12 Frame
06	384-2461	998-5421	999-8606	384-0544	384-2401	384-1701
08	384-2462	998-5421	999-8606	384-0548	384-2401	384-1701
10	384-2481	998-5421	999-8606	384-0552	384-2402	384-1702
12	384-2482	998-5421	999-8606	384-0555	384-2402	384-1702
15	384-2483	998-5421	999-8606	384-0559	384-2403	384-1703
18	384-2484	998-5421	999-8606	384-0563	384-2404	384-1704
21	384-2485	998-5423	999-8637	384-0565	384-2405	384-1705
24	384-2486	998-5423	999-8637	384-0566	384-2406	384-1706

EXTENDED CONSTRUCTION

Unit Size	Motor Cover		Shroud		Motor 4 Mount Assem'y	Vibration 5 Isolators (4 Req'd)	Fan 6 Plate
	Lid 1	Tube 2	Outer/ 3 Lower	Upper			
06	384-6521	384-6504	384-6442	--	384-0662	384-0700	384-2511
08	384-6521	384-6504	384-6442	--	384-0662	384-0700	384-2511
10	384-6521	384-6504	384-6444	--	384-0662	384-0700	384-2512
12	384-6521	384-6504	384-6444	--	384-0662	384-0700	384-2512
15	384-6522	384-6507	384-6445	--	384-0664	384-0700	384-2513
18	384-6523	384-6510	384-6471	384-6491	384-0666	384-0700	384-2514
21	384-6524	384-6512	384-6472	384-6492	384-0668	384-0700	384-2515
24	384-6525	384-6514	384-6473	384-6493	384-0670	384-0700	384-2516

Drain Plug all sizes 999-6983

EXTENDED CONSTRUCTION (Continued)

Unit Size	Diffusers 7 (Set of 4)	Fan 8 Shaft	Pillow 9 Block Bearings (2 Req'd)	Wheel 10	Wall 11 Mounting Cap	Mounting 12 Frame
06	384-2461	998-5422	999-8606	384-0544	384-2401	384-1701
08	384-2462	998-5422	999-8606	384-0548	384-2401	384-1701
10	384-2481	998-5422	999-8606	384-0552	384-2402	384-1702
12	384-2482	998-5422	999-8606	384-0555	384-2402	384-1702
15	384-2483	998-5422	999-8606	384-0559	384-2403	384-1703
18	384-2484	998-5422	999-8606	384-0563	384-2404	384-1704
21	384-2485	998-5424	999-8637	384-0565	384-2405	384-1705
24	384-2486	998-5424	999-8637	384-0566	384-2406	384-1706