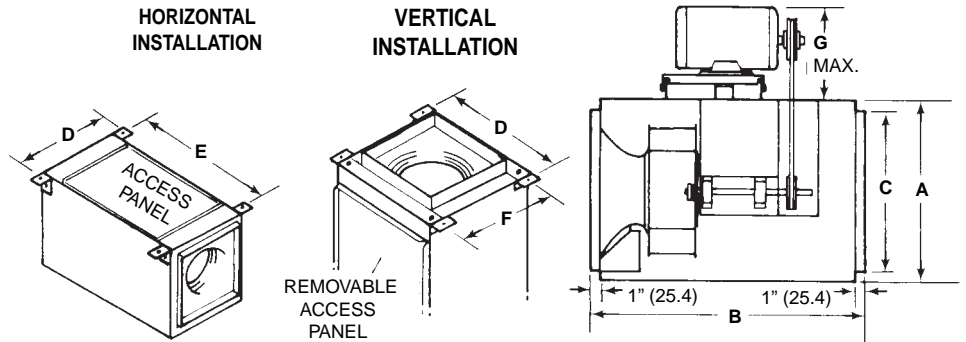


IP [English] Units
SI (Metric) Units

CARNES COMPANY, 448 S. Main St., P. O. Box 930040, Verona, WI. 53593-0040 Phone: 608/845-6411 Fax: 608/845-6470 E-Mail: carnes@carnes.com http://www.carnes.com

NOTE: OPTIONAL MOUNTING BRACKETS MAY BE MOUNTED ON SIDES OR ENDS OF UNIT FOR FLOOR, CEILING OR VERTICAL MOUNTING
(ARRANGE FOR BEST USE OF ACCESS PANELS)



DIMENSIONS LISTED IN INCHES (In Millimeters)

UNIT SIZE	A	B	C	D	E	F	G	AVE. WT LBS (Kg)	DAMPER SIZE*
06	14 (356)	28-5/8 (727)	12 (305)	16-1/2 (419)	25-1/8 (638)	12-1/2 (318)	12 (305)	65 (29.5)	12 (305)
08	14 (356)	28-5/8 (727)	12 (305)	16-1/2 (419)	25-1/8 (638)	12-1/2 (318)	12 (305)	65 (29.5)	12 (305)
10	18 (457)	32-1/8 (816)	16 (406)	20-1/2 (521)	28-5/8 (727)	16-1/2 (419)	12 (305)	80 (36.3)	16 (406)
12	18 (457)	32-1/8 (816)	16 (406)	20-1/2 (521)	28-5/8 (727)	16-1/2 (419)	12 (305)	80 (36.3)	16 (406)
15	24 (610)	34-7/8 (886)	22 (559)	26-1/2 (673)	31-3/8 (797)	22-1/2 (572)	12 (305)	95 (43.1)	22 (559)
18	28 (711)	36-1/8 (918)	26 (660)	30-1/2 (775)	32-5/8 (829)	26-1/2 (673)	12 (305)	145 (65.8)	26 (660)
21	31 (787)	39-3/8 (1000)	29 (737)	33 (838)	33-7/8 (860)	27-1/2 (699)	14 (356)	200 (90.7)	29 (736)
24	40 (1016)	42-5/8 (1083)	38 (965)	42 (1067)	37-1/8 (943)	36-1/2 (927)	14 (356)	250 (113.4)	38 (965)
30	48 (1219)	46-1/8 (1172)	46 (1168)	50 (1270)	40-5/8 (1032)	44-1/2 (1130)	14 (356)	335 (152.0)	46 (1168)
36	56 (1422)	48-7/8 (1241)	54 (1372)	58 (1473)	43-3/8 (1102)	55-1/2 (1410)	14 (356)	450 (204.1)	54 (1372)

*MAXIMUM VELOCITY, 1000 FPM

STANDARD FEATURES:

- Non-overloading, backwardly inclined wheel.
- Integral motor overload protection on all standard single phase motors.
- Spark resistant wheel thru size 24.
- Safety disconnect standard for all motors except explosion proof.
- Housing corrosion resistant heavy gauge steel.

ABBREVIATIONS:

- OP = Open
- TE = Totally Enclosed
- XP = Explosion Proof
- 2S = Two Speed

ACCESSORIES:

- BG (G) = Belt Guard
- IC (H) = Insulated Casing
- VXIAM = Mounting Brackets
- VXIAB = Isolators base mounting
- VXIAH = Isolators hanging
- IG/OG (B/C) = Inlet or outlet guard
- WP (W) = Weather package
- NS (A) = Non-sparking wheel.

FAN NO. LOCATION	QTY	MODEL/SIZE	CFM	SP	FAN RPM	SONES	MOTOR			ACCESSORIES
							HP	ELECTRICAL	TYPE	

NOTES:

PROJECT:	ARCHITECT:
CONTRACTOR:	ENGINEER:
DATE:	SUBMITTED BY: