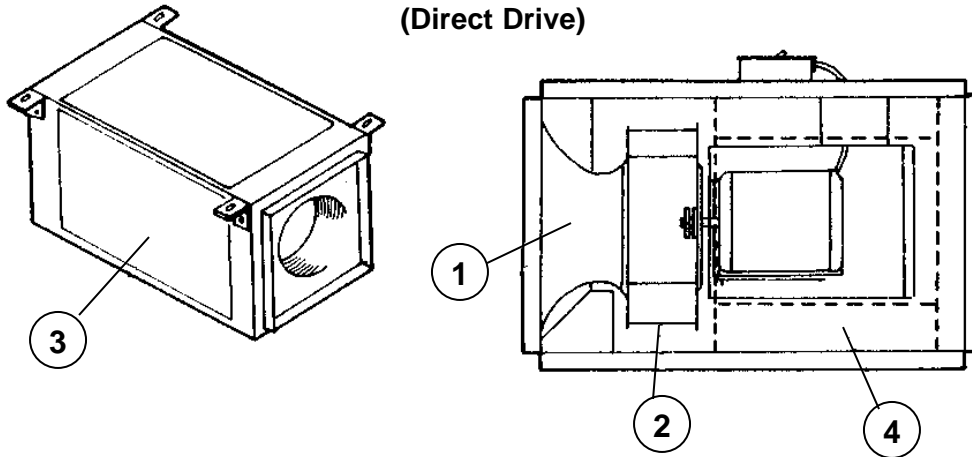


Model VIDK - Sizes 06-18 (Direct Drive)



| Model VIDK Size | 1* Spark Resistant Wheel | | | Standard - Coated Steel | | |
|-----------------------|--------------------------------|-----------|-----------|----------------------------------|--------------------------|------------------------------------|
| | 1/2" | 5/8" | 7/8" | 2 Inlet Venturi Section | 3 Access Panel (2) | 4 Motor Compartment Cover |
| 06 | V384-0542 | V384-0543 | -- | V384-8021 | V384-8202 | V384-0801 |
| 08 | V384-0546 | V384-0547 | -- | V384-8021 | V384-8202 | V384-0802 |
| 10 | V384-0550 | V384-0551 | -- | V384-8022 | V384-8204 | V384-0803 |
| 12 | V384-0553 | V384-0554 | V384-0556 | V384-8022 | V384-8204 | V384-0804 |
| 15 | V384-0557 | V384-0558 | V384-0560 | V384-8023 | V384-8205 | V384-0805 |
| 18 | V384-0561 | V384-0562 | V384-0564 | V384-8034# | V384-8206 | V384-0806 |

* - Includes set screw

- Aluminum standard construction

| Model VIDK Size | Aluminum | | |
|-----------------------|----------------------------------|--------------------------|------------------------------------|
| | 2 Inlet Venturi Section | 3 Access Panel (2) | 4 Motor Compartment Cover |
| 06 | V384-8031 | V384-8182 | V384-0811 |
| 08 | V384-8031 | V384-8182 | V384-0812 |
| 10 | V384-8032 | V384-8184 | V384-0813 |
| 12 | V384-8032 | V384-8184 | V384-0814 |
| 15 | V384-8033 | V384-8185 | V384-0815 |
| 18 | V384-8034# | V384-8186 | V384-0816 |

- Aluminum standard construction