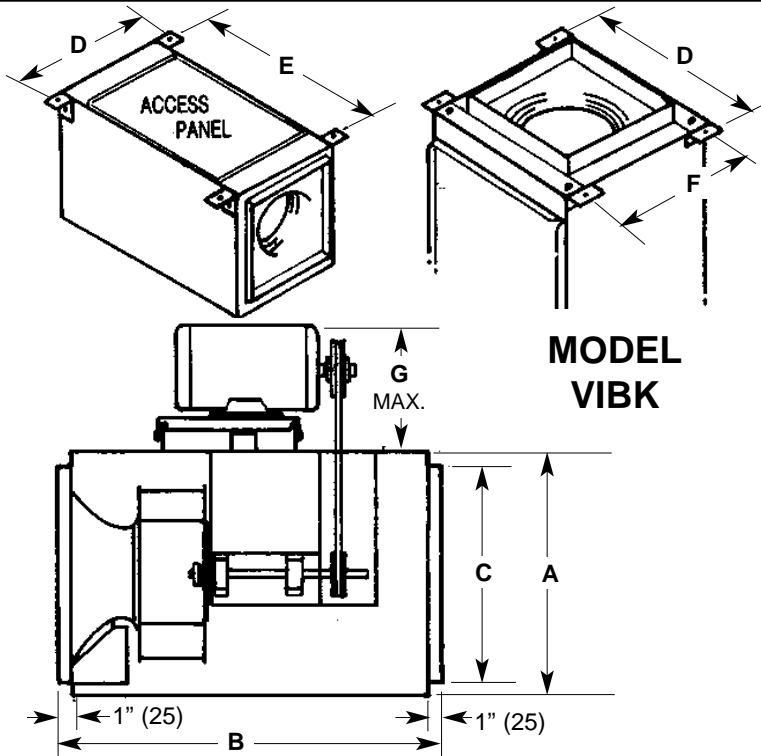


#### Imperial [IP] Dimensions Metric (SI) In Parentheses

CARNES COMPANY 448 S. Main St., P. O. Box 930040, Verona, WI 53593-0040 Phone: (608)845-6411 Fax: (608)845-6504 www.carnes.com



**MODEL  
VIBK**

#### STANDARD FEATURES

- Suitable for horizontal or vertical installation.
- Dual "J" bolts for precise adjustment of hinged motor platform.
- 1" flange duct connections inlet and outlet.
- Optional mounting brackets for floor or hanging mount, vibration isolators recommended.
- Adjustable motor sheave factory preset to requested RPM.
- Dual drive belts furnished on 5 HP and above.
- Pillow Block Bearing L<sub>50</sub> = 200,000 hours, isolated from the airstream.
- Disconnect switch externally mounted for all motors except explosion proof.
- Two flanged, gasketed, side access panels.
- Non-overloading, backwardly inclined wheel.
- "X" cross brace frame and bearing support, size 15 and above, 12 gauge minimum.

#### DIMENSIONS In Inches (Millimeters)

Unit Size	A	B	C	D	E	F	G
06	14 (356)	28-5/8 (727)	12 (305)	16-1/2 (419)	25-1/8 (638)	12-1/2 (318)	12 (305)
08	14 (356)	28-5/8 (727)	12 (305)	16-1/2 (419)	25-1/8 (638)	12-1/2 (318)	
10	18 (457)	32-1/8 (816)	16 (406)	20-1/2 (521)	28-5/8 (727)	16-1/2 (419)	
12	18 (457)	32-1/8 (816)	16 (406)	20-1/2 (521)	28-5/8 (727)	16-1/2 (419)	
15	24 (610)	34-7/8 (886)	22 (559)	26-1/2 (673)	31-3/8 (797)	22-1/2 (572)	
18	28 (711)	36-1/8 (918)	26 (660)	30-1/2 (775)	32-5/8 (829)	26-1/2 (673)	
21	31 (787)	39-3/8 (1000)	29 (737)	33 (838)	33-7/8 (860)	27-1/2 (699)	15 (356)
24	40 (1016)	42-5/8 (1083)	38 (965)	42 (1067)	37-1/8 (943)	36-1/2 (927)	
30	48 (1219)	46-1/8 (1172)	46 (1168)	50 (1270)	40-5/8 (1032)	44-1/2 (1130)	
36	56 (1422)	48-7/8 (1241)	54 (1372)	58 (1473)	43-3/8 (1102)	55-1/2 (1410)	
42	56 (1422)	48-7/8 (1241)	54 (1372)	58 (1473)	47-3/8 (1203)	55-1/2 (1410)	

#### MATERIAL AND THICKNESS In Inches (Millimeters)

Unit Size	Galv. Housing Gauge	Venturi Inlet	Shaft Dia. [CRS]	Standard Wheel	Average Weight Lbs. (kG)	Inlet or Outlet Area Sq. Ft. (Sq. Meters)
06	20	22 ga. Galv.	3/4 (19)	Alum.	65 (30)	1.0 (0.093)
08	20	22 ga. Galv.	3/4 (19)	Alum.	65 (30)	1.0 (0.093)
10	20	22 ga. Galv.	3/4 (19)	Alum.	80 (36)	1.78 (0.165)
12	20	22 ga. Galv.	3/4 (19)	Alum.	80 (36)	1.78 (0.165)
15	20	22 ga. Galv.	3/4 (19)	Alum.	95 (43)	3.36 (0.312)
18	18	.063 (1.6) AL	3/4 (19)	Alum.	145 (66)	4.69 (0.436)
21	18	.080 (2.0) AL	1 (25)	Alum.	200 (91)	5.84 (0.543)
24	18	.080 (2.0) AL	1 (25)	Alum.	250 (114)	10.03 (0.932)
30	18	.080 (2.0) AL	1-3/16 (30)	Steel	335 (152)	14.67 (1.363)
36	18	.080 (2.0) AL	1-7/16 (37)	Steel	450 (204)	20.25 (1.881)
42	18	.080 (2.0) AL	1-7/16 (37)	Alum.	450 (204)	20.25 (1.881)