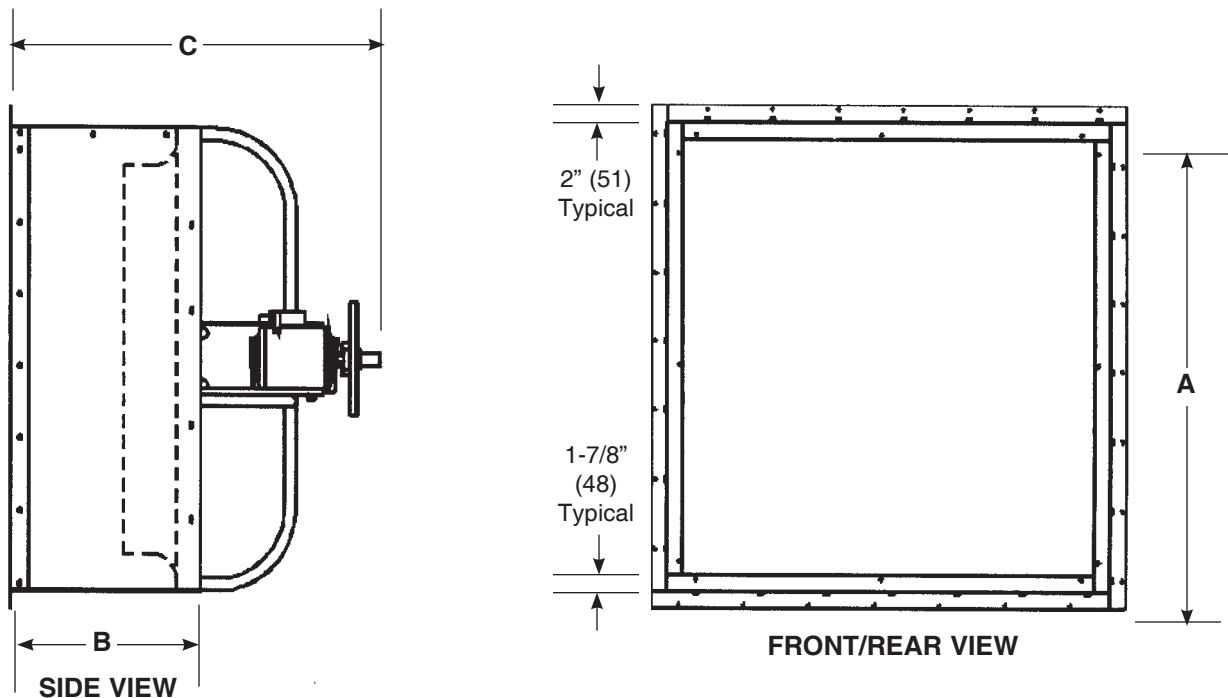


**Imperial [IP] / Metric [SI]  
Dimensions**

CARNES COMPANY 448 S. Main St., P. O. Box 930040, Verona, WI 53593-0040 Phone: (608)845-6411 Fax: (608)845-6504 www.carnes.com



**LOUVER EXTENSION:**

**FINISHES:**

Mill as standard.

**OPTIONAL FINISHES:**

Air Dry Enamel to match.

Acid Resistant coating (ARC, Epoxy).

Air Dry Heresite.

**DIMENSIONS LISTED IN INCHES**

Fan Size	A Sq. O. D.	B Length	C Panel Locate	Weight (lbs.)	Wall Opening
10	16-1/4	16	24-3/8	28	17-1/4
12	16-1/4	16	24-3/8	28	17-1/4
16	20-1/4	16	27-3/8	31	21-1/4
18	24-1/4	16	30-3/8	33	25-1/4
20	24-1/4	16	33-3/8	33	25-1/4
24	30-1/4	17-1/2	35-3/8	37	31-1/2
30	36-1/4	17-1/2	38-3/8	44	38
36	42-1/4	18-1/2	41-3/8	53	44
42	48-1/4	20-3/4	43-3/8	67	50
48	54-1/4	22-3/4	45-5/8	82	56
54	60-1/4	47-3/4	47-5/8	97	62

**DIMENSIONS LISTED IN MILLIMETERS**

Fan Size	A Sq. O. D.	B Length	C Panel Locate	Weight (Kg.)	Wall Opening
10	413	406	619	13	445
12	413	406	619	13	445
16	514	406	695	14	546
18	616	406	772	15	641
20	616	406	848	15	641
24	768	444	898	17	800
30	921	444	974	20	965
36	1073	470	1051	24	1117
42	1226	527	1108	31	1270
48	1378	578	1159	37	1422
54	1530	1213	1210	44	1575