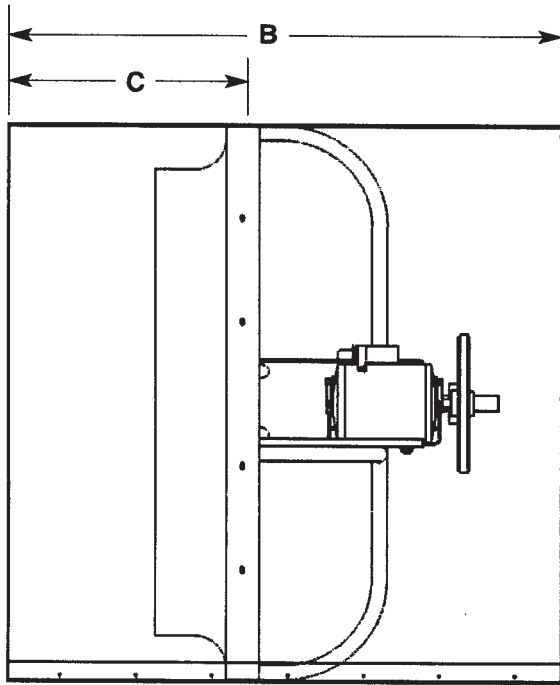
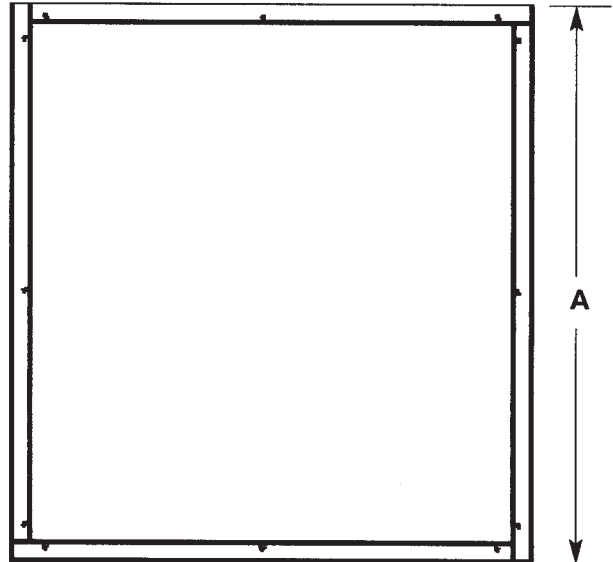


**Imperial [IP] / Metric [SI]  
Dimensions**

CARNES COMPANY 448 S. Main St., P. O. Box 930040, Verona, WI 53593-0040 Phone: (608)845-6411 Fax: (608)845-6504 www.carnes.com



**SIDE VIEW**



**FRONT/REAR VIEW**

**FINISHES:**

Mill as standard.

**OPTIONAL FINISHES:**

Air Dry Enamel to match.

Acid Resistant coating (ARC, Epoxy).

Air Dry Heresite.

**DIMENSIONS LISTED IN INCHES**

Fan Size	A Sq. O. D.	B Length	C Panel Locate	Weight (lbs.)	Wall Opening
10	16-1/4	24	14-1/2	20	17-1/4
12	16-1/4	24	14-1/2	20	17-1/4
16	20-1/4	24	14-1/2	24	21-1/4
18	24-1/4	24	14-1/2	29	25-1/2
20	24-1/4	24	14-1/2	29	25-1/2
24	30-1/4	37-1/2	16-1/2	66	31-1/2
30	36-1/4	39-1/2	15-1/2	92	38
36	42-1/4	39-1/2	17-1/2	115	44
42	48-1/4	45-1/2	19-3/4	136	50
48	54-1/4	47-3/4	21-3/4	160	56
54	60-1/4	49-3/4	21-3/4	245	62

**DIMENSIONS LISTED IN MILLIMETERS**

Fan Size	A Sq. O. D.	B Length	C Panel Locate	Weight (Kg.)	Wall Opening
10	413	610	368	7	438
12	413	610	368	12	438
16	514	610	368	17	540
18	616	610	368	22	648
20	616	610	368	27	648
24	708	952	419	30	800
30	921	1003	394	42	965
36	1073	1003	445	52	1117
42	1226	1156	502	62	1270
48	1378	1213	552	73	1422
54	1531	1264	552	112	1575