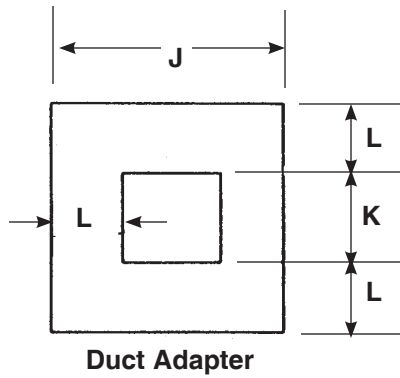
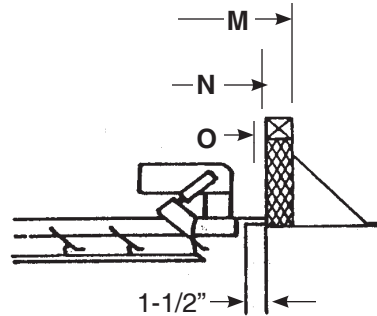


**Imperial [IP] Dimensions**  
**Metric [SI] on Reverse**

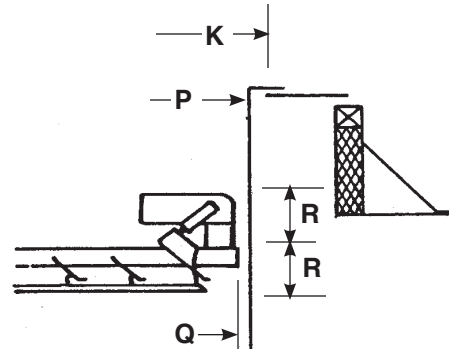
CARNES COMPANY, 448 S. Main St., P. O. Box 930040, Verona, WI 53593-0040 Phone (608) 845.6411 Fax: (608) 845.6504 carnes@carnes.com



**Duct Adapter**



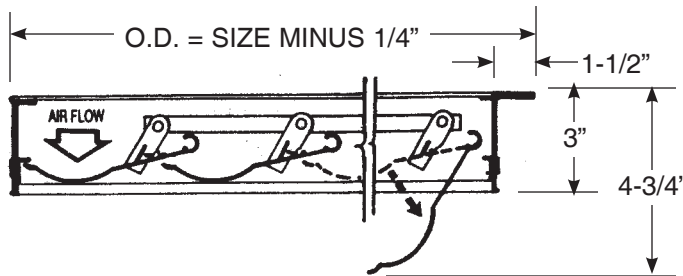
**Model VXGA  
Curb Mounted Damper**  
[Requires 1-1/2" damper shelf]  
Shown with optional motor pack



**Model VXHA  
Duct Mounted Damper**  
Shown with optional motor pack

**DIMENSIONS LISTED IN INCHES**

Unit Size	J Sq.	K Sq.	L	Roof Curb Sq.		VXGA Damper		P Duct Sq. I. D.	VXHA Damper		R Damper Clearance	1" Filters Qty. - Nom. Size
				M O.D.	N I.D.	Size	O Sq. O.D.		Size	Q Sq. O.D.		
08	18	12-1/4	2-7/8	18-1/2	15-1/2	15	14-3/4	12	12	11-3/4	7	4 - 10x16
10	26-1/2	14-1/4	6-1/8	27	24	23	22-3/4	14	14	13-3/4	7	4 - 16x25
12	26-1/2	18-1/4	4-1/8	27	24	23	22-3/4	18	18	17-3/4	7	4 - 16x25
15	30	20-1/4	4-7/8	30-1/2	27-1/2	27	26-3/4	20	20	19-3/4	7	4 - 16x25
18	34	26-1/4	3-7/8	34-1/2	31-1/2	31	30-3/4	26	26	25-3/4	7	4 - 20x25
20	48-1/2	30-1/4	9-1/8	49	46	45	44-3/4	30	30	29-3/4	7	8 - 20x20



**DAMPER SPECIFICATIONS**

**FRAME:** .050", 16 Ga. 6063-T5 ALUMINUM.  
**BLADES:** .050", 16 Ga. 6063-T5 ALUMINUM.  
**SEALS:** HEAVY DUTY VINYL.  
**MAXIMUM VELOCITY:** 2500 Ft./Min.  
**MAXIMUM PRESSURE DIFFERENTIAL:** 1" W.G.  
**FINISH:** MILL.  
**MAXIMUM PANEL SIZE:** 36" W x 48" L.  
**COUNTER BLANCED FOR INTAKE**  
**HEAVY DUTY BLADE LINKAGE**  
**CONDUIT HOLE (1") FOR MOTOR PACK WIRING.**

**VXGAA** = FLANGED FRAME — GRAVITY OPERATED  
**VXGAM** = FLANGED FRAME — MOTOR OPERATED  
**VXHAA** = CHANNEL FRAME — GRAVITY OPERATED  
**VXHAM** = CHANNEL FRAME — MOTOR OPERATED

**MOTOR OPERATOR**

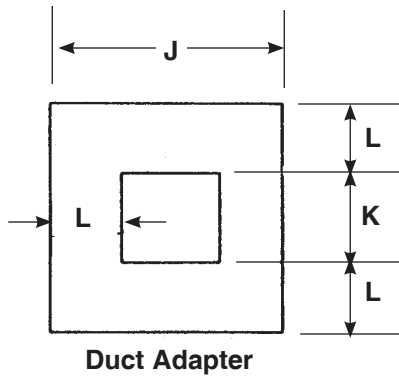
- Power Open / Spring Close [PO / SC].
- 115-230/1/60 Continuous Stall Type.
- Motor and Hardware Are Field Installed.
- Transformer [Optional] for 460 or 575 Volts.

	115 V	230 V
IDLE SPEED	1.8 RPM	1.8 RPM
IDLE AMPS	0.24	0.13
STALL AMPS	0.26	0.14

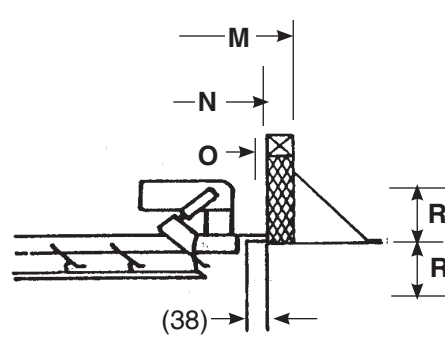
**Metric (SIO Dimensions  
Imperial {IP} on Reverse**

## SUBMITTAL SHEET MODELS VXGA CURB MOUNTED DAMPER VXHA DUCT MOUNTED DAMPER DUCT ADAPTER

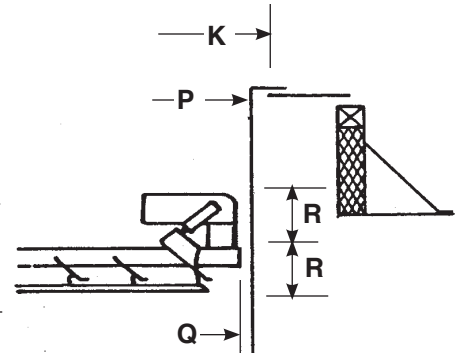
CARNES COMPANY, 448 S. Main St., P. O. Box 930040, Verona, WI 53593-0040 Phone (608) 845.6411 Fax: (608) 845.6504 carnes@carnes.com



**Duct Adapter**



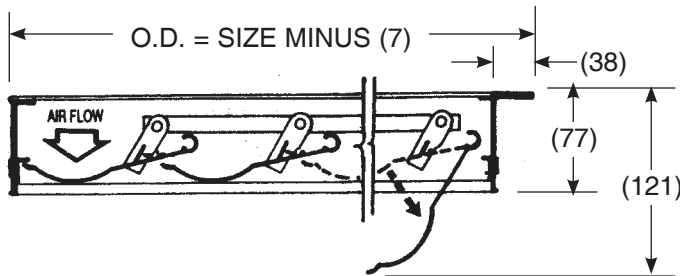
**Model VXGA  
Curb Mounted Damper**  
[Requires 38mm damper shelf]  
Shown with optional motor pack



**Model VXHA  
Duct Mounted Damper**  
Shown with optional motor pack

### DIMENSIONS LISTED IN MILLIMETERS

Unit Size	J Sq.	K Sq.	L	Roof Curb Sq.		VXGA Damper		P Duct Sq. I. D.	VXHA Damper		R Damper Clearance	1" Filters Qty. - Nom. Size
				M O.D.	N I.D.	Size	O Sq. O.D.		Size	Q Sq. O.D.		
08	457	312	73	470	395	15	375	305	12	299	178	4 - 254x406
10	674	362	156	686	610	23	578	356	14	350	178	4 - 406x635
12	674	464	105	686	610	23	578	458	18	451	178	4 - 406x635
15	762	515	124	775	699	27	680	508	20	502	178	4 - 406x635
18	864	667	99	876	801	31	781	661	26	654	178	4 - 508x635
20	1232	769	232	1245	1169	45	1137	762	30	756	178	8 - 508x508



### DAMPER SPECIFICATIONS

**FRAME:** .050", 16 Ga. 6063-T5 ALUMINUM.  
**BLADES:** .050", 16 Ga. 6063-T5 ALUMINUM.  
**SEALS:** HEAVY DUTY VINYL.  
**MAXIMUM VELOCITY:** 13 Meters/Sec..  
**MAXIMUM PRESSURE DIFFERENTIAL:** 249 Pa.  
**FINISH:** MILL.  
**MAXIMUM PANEL SIZE:** (915) W x (1220) L.  
**COUNTER BLANCED FOR INTAKE**  
**HEAVY DUTY BLADE LINKAGE**  
**CONDUIT HOLE (25) FOR MOTOR PACK WIRING.**

**VXGAA** = FLANGED FRAME — GRAVITY OPERATED  
**VXGAM** = FLANGED FRAME — MOTOR OPERATED  
**VXHAA** = CHANNEL FRAME — GRAVITY OPERATED  
**VXHAM** = CHANNEL FRAME — MOTOR OPERATED

### MOTOR OPERATOR

- Power Open / Spring Close [PO / SC].
- 115-230/1/60 Continuous Stall Type.
- Motor and Hardware Are Field Installed.
- Transformer [Optional] for 460 or 575 Volts.

	115 V	230 V
IDLE SPEED	1.8 RPM	1.8 RPM
IDLE AMPS	0.24	0.13
STALL AMPS	0.26	0.14