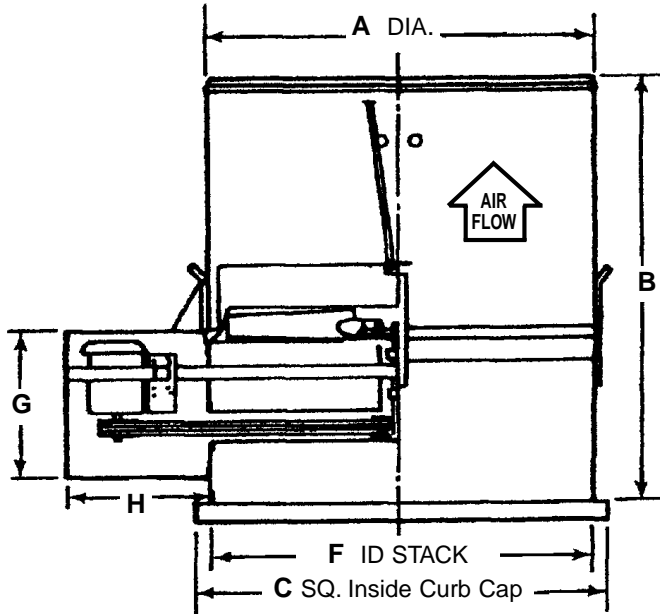


**MODEL LUKA
PROPELLER UPBLAST FANS: BELT DRIVE
MOTOR OUT OF AIR STREAM**

COPYRIGHT © CARNES COMPANY ALL RIGHTS RESERVED - 2002	SUPERSEDES 26022-B	26022-C
--	--------------------	---------



INCLUDES:

- DAMPER DOORS
- RAIN CHANNEL
- LIFTING POINTS
- INTERNAL BRACING
- V-BELT DRIVES

ABBREVIATIONS:

- Motor Type — OP = OPEN
TE = TOTALLY ENCLOSED
XP = EXPLOSION PROOF
2S = TWO SPEEDS

ACCESSORIES:

- LXFAG - GALVANIZED CURB
LXFAA - ALUMINUM CURB
LXMAU - BASKET SAFETY GUARD

Size	A	B	C	F	G	H	METAL GAUGES			Avg. Wt.	Curb Size
							Wind Shroud	Curb Cap	Fan Panel		
24	30	50	32	32	22	16	18	14	16	310	0100
30	36	54	38	36	22	16	18	14	16	340	0370
36	42	56	44	42	22	16	18	14	16	430	0430
42	48	59	50	48	22	16	18	14	16	490	0490
48	54	68	56	54	22	22	18	14	14	640	0550
54	60	70	62	60	22	22	18	14	14	840	0610
60	66	74	68	66	22	22	18	14	14	1000	0670
72	80	86	82	80	22	22	16	12	10	1550	0810

FAN NO. LOCATION	QTY	MODEL/SIZE	CFM	SP	FAN RPM	SONES	MOTOR			ACCESSORIES
							HP	ELECTRICAL	TYPE	

NOTES:

PROJECT	ARCHITECT					
CONTRACTOR	DATE:	SUBMITTED BY:				ENGINEER