

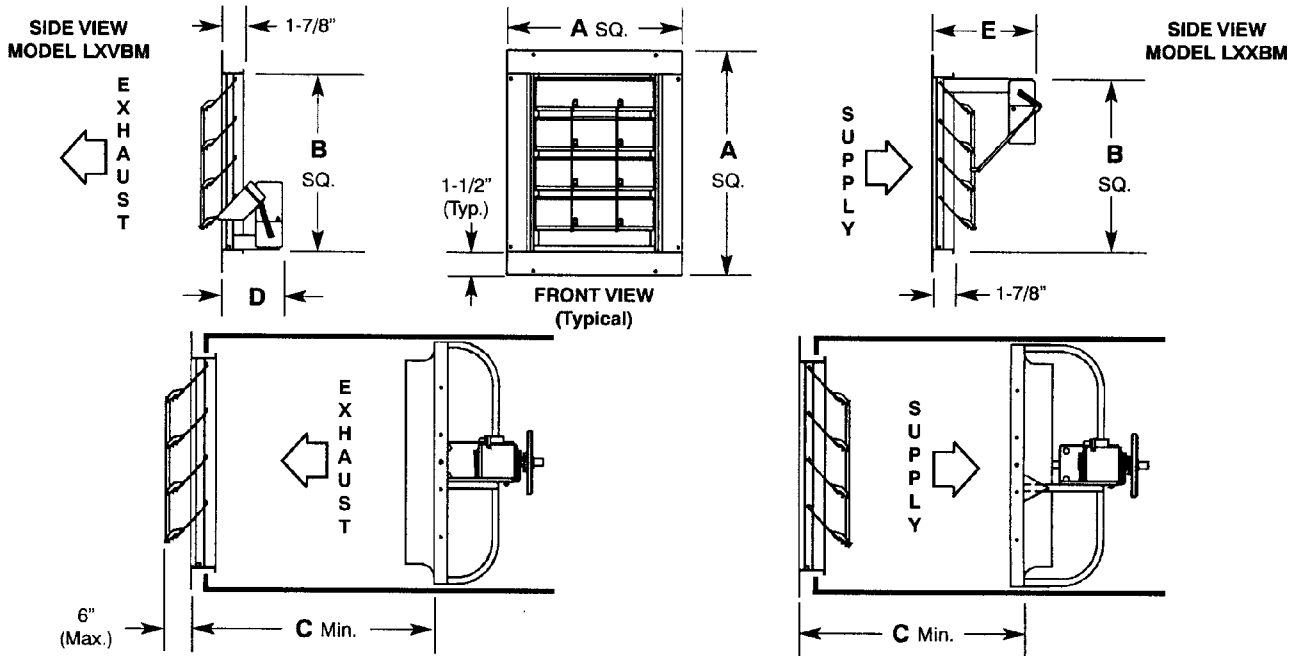
### LWBL/LMBL & LRBK/LNBK PROPELLER FAN ACCESSORY END PIVOT VERTICAL BACKDRAFT DAMPER

**Imperial [IP] Dimensions**  
**Metric (SI) on Reverse Side**

EXHAUST — L XVBA (GRAVITY)  
L XVBM (MOTORIZED)

SUPPLY — L XXBA (GRAVITY)  
L XXBM (MOTORIZED)

CARNES COMPANY 448 S. Main St., P. O. Box 930040, Verona, WI 53593-0040 Phone: (608)845-6411 Fax: (608)845-6504 www.carnes.com



DIMENSIONS LISTED IN INCHES						
Fan Size	A Sq.	B Sq.	C <sup>(1)</sup> Min.	D (Exh.)	E (Sup)	Weight (Lbs.)
20	24	21-3/4	12-1/2	5-1/2	9-1/2	8
24	28	25-3/4	12-1/2	5-1/2	9-1/2	11
30	34	31-3/4	15-1/2	5-1/2	9-1/2	17
36	40	37-3/4	17-1/2	5-1/2	9-1/2	17
42 <sup>(2)</sup>	46	43-3/4	19-3/4	7	10	32
48 <sup>(2)</sup>	52	49-3/4	21-3/4	7	10	42
54 <sup>(2)</sup>	58	55-3/4	21-3/4	7	10	42
60 <sup>(2)</sup>	64	61-3/4	21-3/4	7	10	45

- (1) Minimum clearance from propeller fan to damper. Decreased clearance can damage damper or fan and will void warranty.
- (2) Two panels wide (Factory joined sections) requires Carnes Motor Kit specifically designed multi-panel for multi-panel shutters.

MOTOR CHARACTERISTICS		
	120V	240V
Idle Speed (RPM)	1.8	1.8
Idle Amps	0.244	0.137
Stall Amps	0.261	0.146

- Motor kits ship loose for field installation.
- POSC (Power Open-Spring Close)
- Standard Motor Voltage is 115-230/1/60.
- Optional 24 VAC or 575 VAC.
- Optional Transformer \_\_\_\_\_ VAC / \_\_\_\_\_ VAC.
- Motor kit weight - 5lbs.**
- CAUTION:** Motor Kits are not suitable for use in atmospheres or airflows containing explosive or flammable products.

#### STANDARD SPECIFICATIONS AND CONSTRUCTION

- Frame:** 20 gauge (1.0) galvanized steel.
- Blades:** 20 gauge (.50) galvanized steel.
- Axles:** 3/16" diameter full length plated steel rod.
- Linkage:** Double blade linkage with aluminum linkage bars.
- Seals:** Polyethylene on sill and felt seals between blades.
- Operator:** Electric - power open spring close (POSC) ship loose for field installation. Standard voltage is 115-230/1/60 with optional 24/1/60 or 460/1/60 available.
- Max. Velocity:** 2500 ft./min. face velocity maximum.
- Max. Pressure:** 1" w.g. differential pressure maximum.
- Max. Temperature:** 200°F without electrical operator. 120°F with operator.

FAN TAG LOCATION/MARK	FAN MODEL/SIZE	ACCESSORY MODEL/SIZE	VOLTAGE	OPTIONS/ACCESSORIES/NOTES

NOTES:

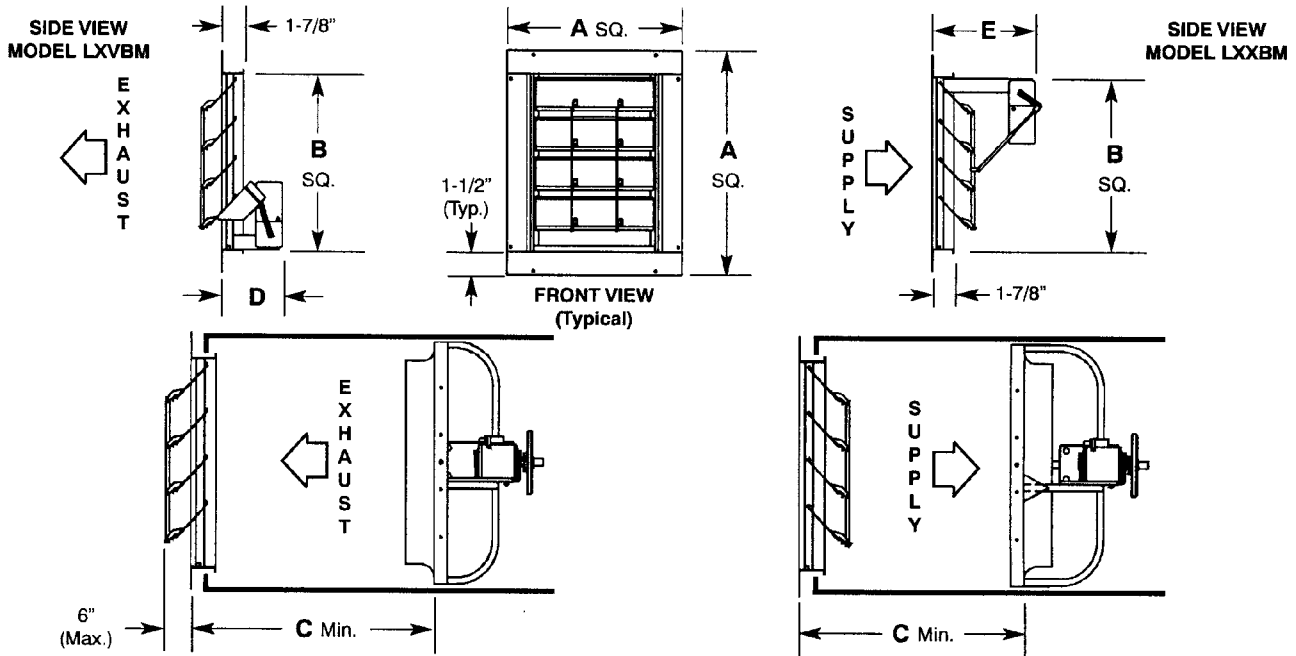
### LWBL/LMBL & LRBK/LNBK PROPELLER FAN ACCESSORY END PIVOT VERTICAL BACKDRAFT DAMPER

**Metric (SI) Dimensions**  
**Imperial [IP] on Reverse Side**

EXHAUST — L XVBA (GRAVITY)  
L XVBM (MOTORIZED)

SUPPLY — L XXBA (GRAVITY)  
L XXBM (MOTORIZED)

CARNES COMPANY 448 S. Main St., P. O. Box 930040, Verona, WI 53593-0040 Phone: (608)845-6411 Fax: (608)845-6504 www.carnes.com



DIMENSIONS LISTED IN MILLIMETERS						
Fan Size	A Sq.	B Sq.	C <sup>(1)</sup> Min.	D (Exh.)	E (Sup)	Weight (Kg.)
20	610	552	318	140	241	203
24	711	654	318	140	241	279
30	864	806	394	140	241	432
36	1016	959	446	140	241	610
42 <sup>(2)</sup>	1168	1111	502	178	254	813
48 <sup>(2)</sup>	1321	1264	552	178	254	1067
54 <sup>(2)</sup>	1473	1416	552	178	254	1067
60 <sup>(2)</sup>	1626	1568	552	178	254	1143

MOTOR CHARACTERISTICS		
	120V	240V
Idle Speed (RPM)	1.8	1.8
Idle Amps	0.244	0.137
Stall Amps	0.261	0.146

(1) Minimum clearance from propeller fan to damper. Decreased clearance can damage damper or fan and will void warranty.  
(2) Two panels wide (Factory joined sections) requires Carnes Motor Kit specifically designed multi-panel for multi-panel shutters.

*Motor kits ship loose for field installation.*

- POSC (Power Open-Spring Close)
- Standard Motor Voltage is 115-230/1/60.
- Optional 24 VAC or 575 VAC.
- Optional Transformer \_\_\_\_\_ VAC / \_\_\_\_\_ VAC.

**Motor kit weight - 2.3 Kg.**  
**CAUTION:** Motor Kits are not suitable for use in atmospheres or airflows containing explosive or flammable products.

**STANDARD SPECIFICATIONS AND CONSTRUCTION**

**Frame:** 20 gauge (1.0) galvanized steel.  
**Blades:** 20 gauge (.50) galvanized steel.  
**Axles:** 3/16" diameter full length plated steel rod.  
**Linkage:** Double blade linkage with aluminum linkage bars.  
**Seals:** Polyethylene on sill and felt seals between blades.

**Operator:** Electric - power open spring close (POSC) ship loose for field installation. Standard voltage is 115-230/1/60 with optional 24/1/60 or 460/1/60 available.  
**Max. Velocity:** 2500 ft./min. face velocity maximum.  
**Max. Pressure:** 1" w.g. differential pressure maximum.  
**Max. Temperature:** 200°F without electrical operator. 120°F with operator.

FAN TAG LOCATION/MARK	FAN MODEL/SIZE	ACCESSORY MODEL/SIZE	VOLTAGE	OPTIONS/ACCESSORIES/NOTES

NOTES: