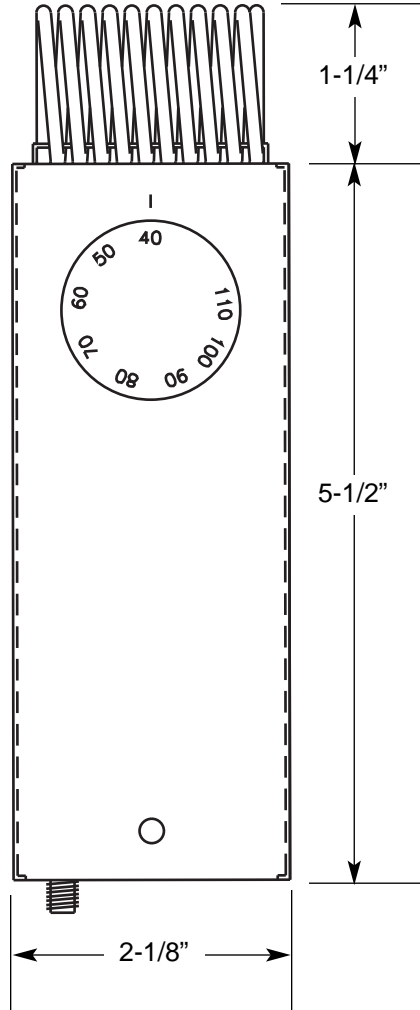


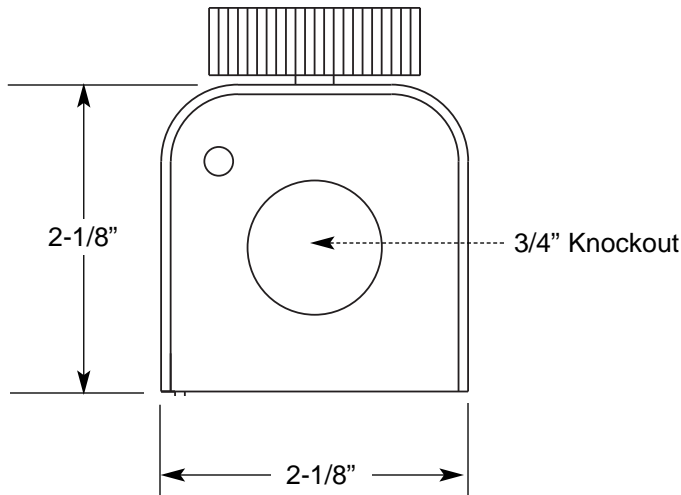
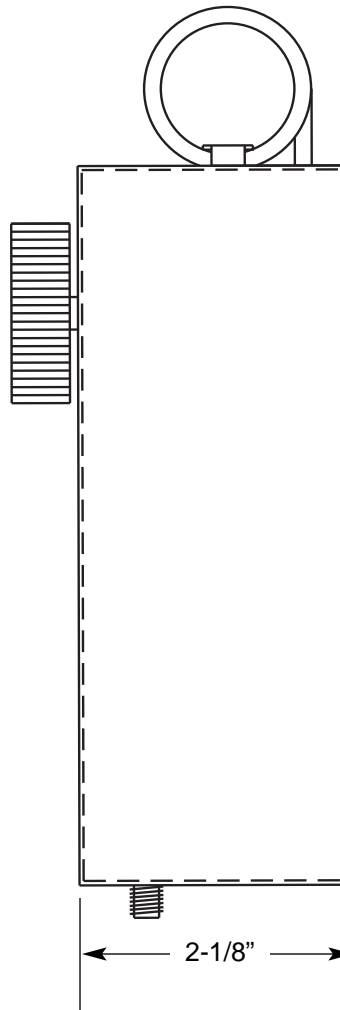
IP [English] Dimensions
SI (Metric) In Parentheses

CARNES COMPANY 448 S. Main St., P. O. Box 930040, Verona, WI 53593-0040 Phone: (608)845-6411 Fax: (608)845-6504 www.carnes.com

FACE VIEW



SIDE VIEW



ELECTRICAL RATING

22 Amp - 125/277 VAC
up to 3/4 HP @ 125 VAC
up to 1-1/2 HP @ 250/277 VAC