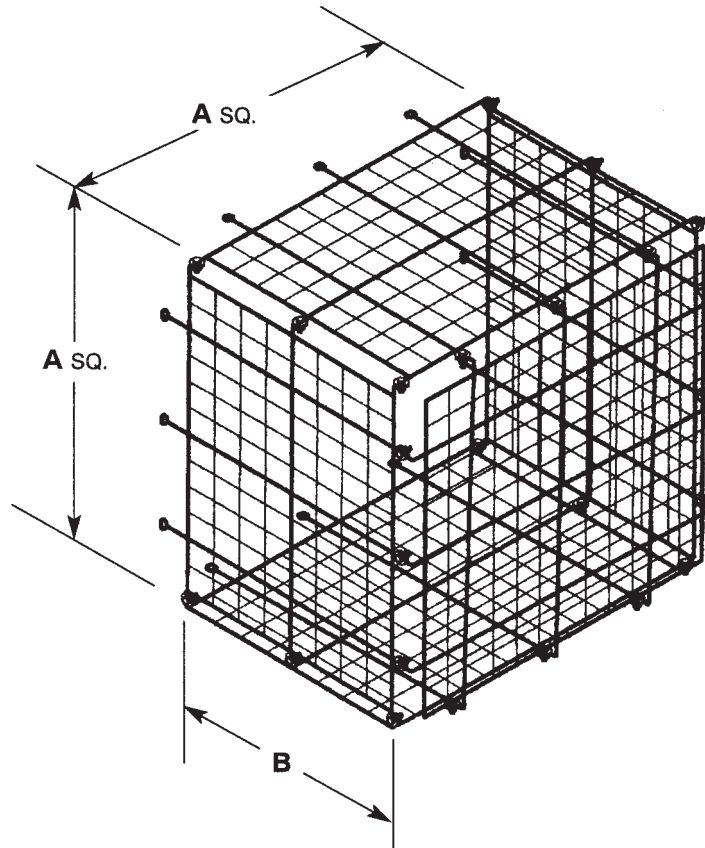


Imperial [IP] Dimensions
Metric (SI) in Parentheses

CARNES COMPANY 448 S. Main St., P. O. Box 930040, Verona, WI 53593-0040 Phone: (608)845-6411 Fax: (608)845-6504 www.carnes.com



LOUVER EXTENSION:

FINISHES:

Gray Electrocoat as standard.

OPTIONAL FINISHES:

- Air Dry Enamel to match.
- Acid Resistant coating (ARC, Epoxy).
- Air Dry Heresite.

Unit	DIMENSIONS and WEIGHT					
	20	24	30	36	42	48
“A” Square	26-1/4” (667)	30-1/4” (768)	36-1/4” (921)	42-1/4” (1073)	48-1/4” (1226)	54-1/4” (1378)
“B”	21-19/32” (548)	21-19/32” (548)	24-19/32” (625)	26-7/32” (625)	26-7/32” (625)	26-7/32” (625)
Gauge	1.135 & .188 Wire	.135 & .188 Wire	.135 & .188 Wire	.135 & .188 Wire	.135 & .188 Wire	.135 & .188 Wire
Wgt. lbs. (Kg.)	14 (6.4)	16 (7.3)	20 (9.1)	32 (14.5)	36 (16.3)	42 (19.1)

NOTE: Sizes 36 thru 48 features two piece back panel.