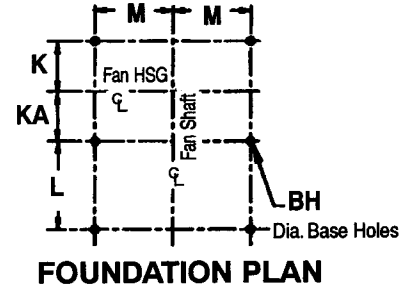
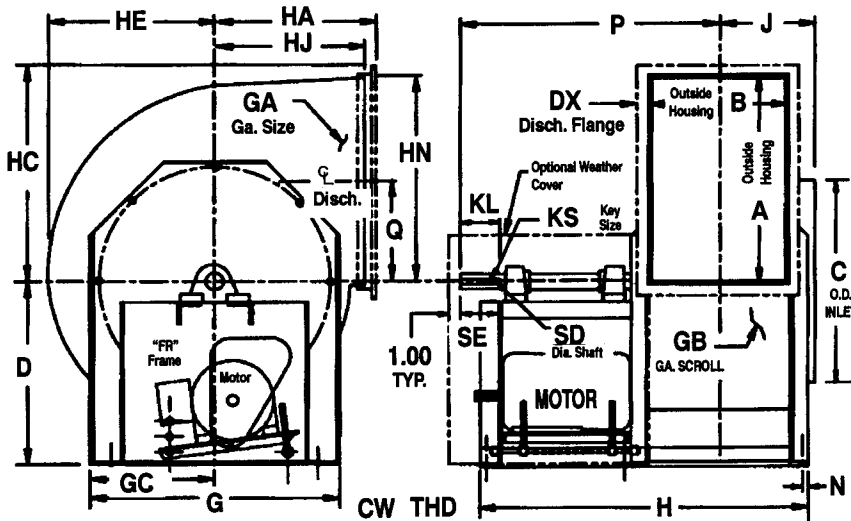
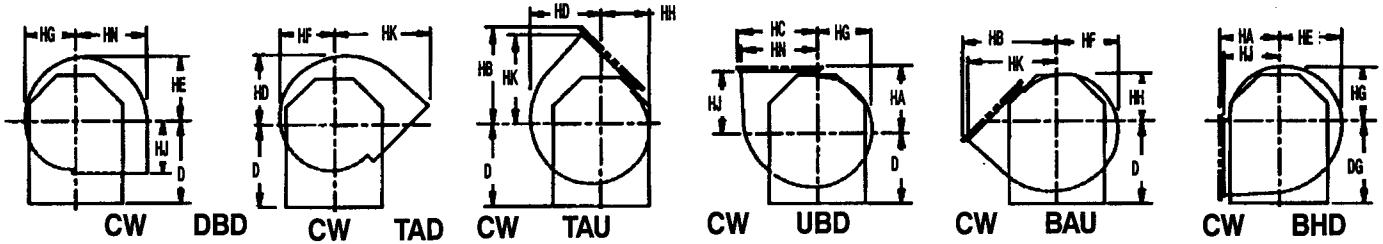


CARNES COMPANY, 448 S. Main St., P. O. Box 930040, Verona, WI 53593-0040 Phone (608) 845.6411 Fax: (608) 845.6470 carnes@carnes.com



- NOTES:**  
 01 FLANGED OUTLET IS OPTIONAL ON SIZES 12-20. FLANGED OUTLET IS STANDARD ON SIZES 22-THRU 36 (EXCEPT ON TAD & DBD).  
 02 "CW" ROTATION IS SHOWN, "CCW" ROTATION IS SIMILAR BUT OPPOSITE.  
 03 UNIT ROTATABLE TO ALL POSITIONS.



| Fan Size | A     | B     | BH   | C     | D     | DG    | DX   | FR   | G     | GA | GB | GC    | H     | HA    | HB    | HC    | Weight Bare Fan | Fan Size |
|----------|-------|-------|------|-------|-------|-------|------|------|-------|----|----|-------|-------|-------|-------|-------|-----------------|----------|
| 12       | 13.00 | 9.75  | 0.44 | 13.25 | 17.63 | 17.63 | 1.00 | 184T | 16.00 | 14 | 14 | 8.00  | 32.00 | 9.75  | 16.75 | 13.94 | 133             | 12       |
| 13       | 14.31 | 10.81 | 0.44 | 14.56 | 19.13 | 19.13 | 1.00 | 215T | 17.50 | 14 | 14 | 8.75  | 34.81 | 10.75 | 18.38 | 15.25 | 153             | 13       |
| 15       | 15.88 | 11.94 | 0.44 | 16.19 | 19.38 | 19.38 | 1.00 | 215T | 19.00 | 14 | 14 | 9.50  | 36.00 | 11.94 | 20.31 | 16.81 | 178             | 15       |
| 16       | 17.44 | 13.19 | 0.44 | 17.75 | 19.38 | 19.38 | 1.00 | 215T | 20.50 | 14 | 14 | 10.25 | 37.31 | 13.13 | 22.25 | 18.38 | 218             | 16       |
| 18       | 19.38 | 14.56 | 0.44 | 19.50 | 21.88 | 21.88 | 1.25 | 256T | 25.00 | 14 | 14 | 12.50 | 43.44 | 14.50 | 24.81 | 20.56 | 242             | 18       |
| 20       | 21.19 | 15.94 | 0.56 | 21.38 | 22.75 | 22.75 | 1.25 | 256T | 25.00 | 14 | 14 | 12.50 | 44.81 | 15.81 | 27.00 | 22.38 | 316             | 20       |
| 22       | 23.56 | 17.69 | 0.56 | 23.75 | 25.50 | 25.50 | 1.25 | 256T | 27.25 | 12 | 14 | 13.63 | 47.13 | 17.69 | 30.00 | 24.75 | 383             | 22       |
| 24       | 25.94 | 19.44 | 0.56 | 26.06 | 28.00 | 28.00 | 1.25 | 256T | 29.75 | 12 | 14 | 14.88 | 48.81 | 19.50 | 33.00 | 27.13 | 498             | 24       |
| 27       | 28.63 | 21.38 | 0.56 | 28.50 | 30.50 | 30.50 | 1.50 | 286T | 33.00 | 12 | 14 | 16.50 | 53.00 | 21.44 | 36.44 | 30.06 | 559             | 27       |
| 30       | 31.81 | 23.81 | 0.56 | 31.63 | 27.50 | 34.25 | 1.50 | 286T | 36.13 | 10 | 12 | 18.06 | 56.00 | 23.81 | 40.31 | 33.25 | 728             | 30       |
| 33       | 35.13 | 26.06 | 0.56 | 34.75 | 30.00 | 37.25 | 1.50 | 326T | 38.88 | 10 | 12 | 19.44 | 61.75 | 26.25 | 44.44 | 36.56 | 834             | 33       |
| 36       | 38.75 | 28.88 | 0.56 | 38.50 | 33.50 | 41.00 | 1.50 | 326T | 43.75 | 10 | 12 | 21.88 | 64.56 | 29.00 | 48.88 | 40.13 | 1034            | 36       |

| Fan Size | HD    | HE    | HF    | HG    | HH    | HJ    | HK    | HN    | J     | K     | KA    | KL   | KS      | L     | M     | N    | P     | Q     | SD    | SE   | Fan Size |
|----------|-------|-------|-------|-------|-------|-------|-------|-------|-------|-------|-------|------|---------|-------|-------|------|-------|-------|-------|------|----------|
| 12       | 11.19 | 10.56 | 9.94  | 9.31  | 8.69  | 9.25  | 15.69 | 12.94 | 7.44  | 5.75  | 6.75  | 2.00 | .25x.13 | 18.50 | 7.31  | 0.50 | 26.50 | 6.44  | 1.187 | 2.75 | 12       |
| 13       | 12.31 | 11.63 | 10.94 | 10.25 | 9.56  | 10.25 | 17.31 | 14.25 | 8.00  | 6.31  | 7.25  | 2.63 | .25x.13 | 20.25 | 8.06  | 0.50 | 29.56 | 7.13  | 1.187 | 3.38 | 13       |
| 15       | 13.75 | 12.88 | 12.13 | 11.38 | 10.63 | 11.44 | 19.25 | 15.81 | 9.06  | 6.88  | 7.88  | 2.63 | .25x.13 | 20.25 | 8.81  | 0.50 | 30.13 | 7.88  | 1.187 | 3.38 | 15       |
| 16       | 15.06 | 14.13 | 13.31 | 12.50 | 11.69 | 12.63 | 21.19 | 17.38 | 9.69  | 7.50  | 8.56  | 2.63 | .25x.13 | 20.00 | 9.25  | 0.63 | 30.75 | 8.69  | 1.187 | 3.38 | 16       |
| 18       | 16.69 | 15.69 | 14.75 | 13.81 | 12.88 | 14.00 | 23.56 | 19.31 | 10.88 | 8.19  | 9.25  | 3.25 | .38x.19 | 24.75 | 10.88 | 0.63 | 36.81 | 9.63  | 1.437 | 4.00 | 18       |
| 20       | 18.38 | 17.31 | 16.25 | 15.19 | 14.13 | 15.31 | 25.75 | 21.13 | 11.56 | 8.88  | 10.06 | 3.25 | .38x.19 | 24.63 | 10.88 | 0.63 | 37.50 | 10.56 | 1.437 | 4.00 | 20       |
| 22       | 20.44 | 19.06 | 17.94 | 16.81 | 15.69 | 17.19 | 28.75 | 23.50 | 12.44 | 10.00 | 11.50 | 3.25 | .38x.19 | 23.88 | 11.13 | 0.88 | 38.38 | 11.75 | 1.437 | 4.00 | 22       |
| 24       | 22.38 | 21.00 | 19.75 | 18.50 | 17.25 | 19.00 | 31.75 | 25.88 | 13.31 | 10.88 | 12.31 | 3.25 | .38x.19 | 23.88 | 11.63 | .088 | 39.25 | 12.94 | 1.687 | 4.00 | 24       |
| 27       | 24.69 | 23.19 | 21.81 | 20.44 | 19.06 | 20.94 | 35.00 | 28.56 | 14.25 | 11.81 | 13.31 | 3.63 | .38x.19 | 26.13 | 12.13 | 0.88 | 43.13 | 14.25 | 1.687 | 4.63 | 27       |
| 30       | 27.44 | 25.75 | 24.25 | 22.75 | 21.25 | 23.31 | 38.94 | 31.75 | 15.50 | 13.31 | 15.06 | 3.63 | .50x.25 | 25.38 | 12.38 | 1.13 | 44.44 | 15.81 | 1.937 | 4.63 | 30       |
| 33       | 30.15 | 28.38 | 26.69 | 25.00 | 23.31 | 25.75 | 43.00 | 35.06 | 16.63 | 14.44 | 16.19 | 4.50 | .50x.25 | 28.88 | 14.13 | 1.13 | 49.69 | 17.50 | 2.187 | 5.25 | 33       |
| 36       | 33.50 | 31.50 | 29.63 | 27.75 | 25.88 | 28.50 | 47.44 | 39.63 | 18.00 | 15.81 | 17.63 | 4.50 | .63x.31 | 28.88 | 14.13 | 1.13 | 51.06 | 19.25 | 2.437 | 5.25 | 36       |

**[See Reverse Side for Filling Out Requirements]**

|             |          |           |      |           |
|-------------|----------|-----------|------|-----------|
| JOB:        |          | LOCATION: |      |           |
| CONTRACTOR: |          | ENGINEER: |      |           |
| ARCHITECT:  |          | S. O. No: |      |           |
| SIZE:       | CLASS:   | DISCH:    | ROT: | MOTOR HP: |
| MTR. LOC.   | UNIT NO: | CFM:      | SP:  | RPM:      |
| BHP:        | OV:      | TS:       |      |           |
| ACCESSORIES |          |           |      |           |