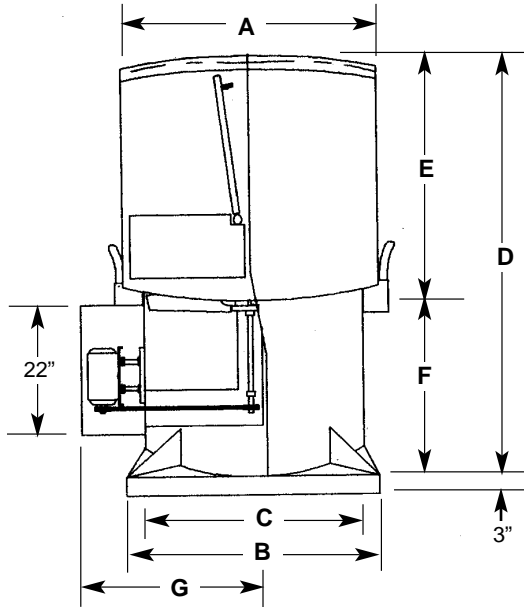


Imperial [IP] Dimensions

CARNES COMPANY, 448 S. Main St., P. O. Box 930040, Verona, WI 53593-0040 Phone (608) 845.6411 Fax: (608) 845.6470 carnes@carnes.com



### STANDARD FEATURES

1. Heavy gauge welded galvanized construction.
2. Statically and dynamically balanced propeller.
3. Variable pitch drive (thru 3HP).
4. Drives sized for 150% of motor HP.
5. 1 year fan and motor warranty.
6. Motor and drives out of the airstream.
7. 200,000 hour pillow block ball bearings.
8. Fiberglass butterfly damper doors.
9. Aluminum or polypropylene propeller.
10. Factory run tested.
11. Integral lifting lugs.

DIMENSIONS LISTED IN INCHES							
Size	A	B	C	D	E	F	G [Max.]
24	30	35	25-1/8	55-1/2	25	30-1/2	37
30	36	41	31-1/8	58-1/2	28	30-1/2	40
36	42	47	37-1/8	60-1/2	30	30-1/2	43
42	48	53	43-1/8	65-1/2	33	32-1/2	46
48	54	59	49-1/8	68-1/2	36	32-1/2	49
54	60	65	55-1/8	71-1/2	39	32-1/2	52
60	66	71	61-1/8	74-1/2	42	32-1/2	55
72	80	85	73-1/8	80-1/2	48	32-1/2	62

METAL GAUGES		
Fan Housing	Wind Shroud	Curb Cap
12	18	14
12	18	14
12	18	14
12	18	14
10	18	14
10	18	14
3/16	18	14
3/16	18	10

FAN SPECIFICATIONS								
Line	Quan.	Model No.	Tag	CFM	Static	Fan RPM	BHP	Sones
1								
2								
3								
4								
5								

MOTOR SPECIFICATIONS				
HP	Volts	Phase	Hertz	Encl.

ACCESSORY ITEMS					ACCESSORY ITEMS						
	1	2	3	4	5		1	2	3	4	5
<input type="checkbox"/>						<input type="checkbox"/>					
<input type="checkbox"/>						<input type="checkbox"/>					
<input type="checkbox"/>						<input type="checkbox"/>					
<input type="checkbox"/>						<input type="checkbox"/>					
<input type="checkbox"/>						<input type="checkbox"/>					

Project: _____	Submitted: _____
Customer: _____	Approved: _____
Location: _____	