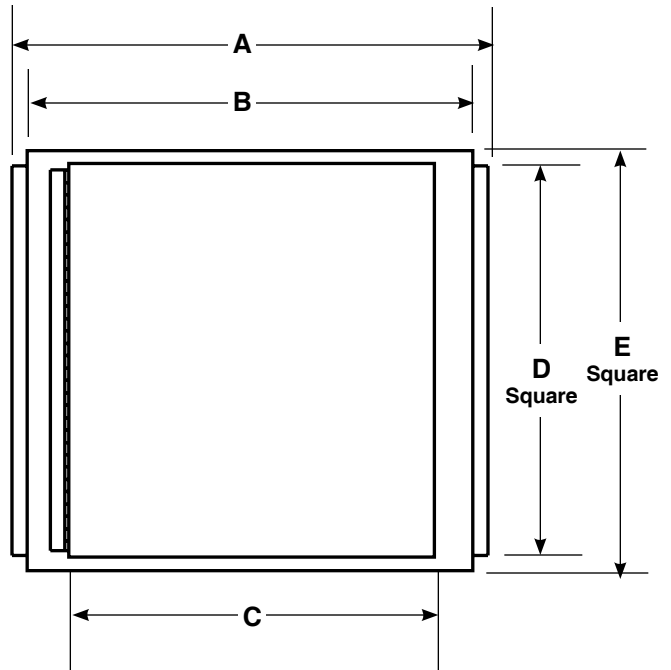
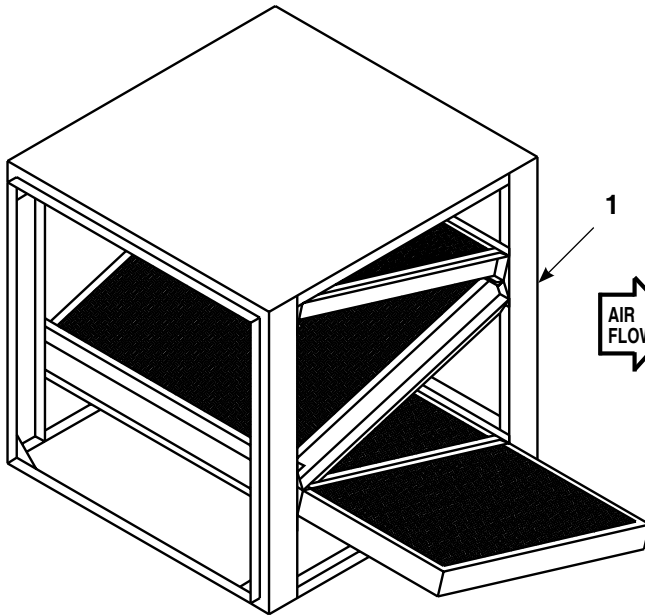


Imperial [IP] Dimensions
Metric (SI) in Parentheses

CARNES COMPANY 448 S. Main St., P. O. Box 930040, Verona, WI 53593-0040 Phone: (608)845-6411 Fax: (608)845-6504 www.carnes.com



Unit Size	Max. CFM	Filter Size	Filter Qty.	Filter Area	Max. Filter Face Vel.
6	900	12 x 24	1	2.00	450
8	1170	12 x 24	2	2.00	585
10	2200	16 x 25	2	5.56	396
12	2750	16 x 25	2	5.56	495
15	4150	24 x 24	2	8.00	519
18	5650	24 x 24	3	12.00	471
21	7150	12 x 24	3	15.00	477
		18 x 24	3		
24	10900	20 x 20	8	22.22	491
30	17200	16 x 25	12	33.33	518
36	21000	20 x 25	12	58.33	360
		16 x 25	6		
42	27000	20 x 25	12	58.33	463
		16 x 25	6		

DIMENSIONS LISTED IN INCHES (In Millimeters)					
Size	A	B	C	D	E
06 / 08	30-3/4	28-3/4	14	12	14
10 / 12	32-7/8	30-7/8	18	16	18
15	31-1/8	29-1/8	24	22	24
18	31-1/8	28-3/4	28	26	28
21	37-1/2	35-1/2	31	29	31
24	33-3/8	31-3/8	40	38	40
30	38	36	48	46	48
36 / 42	38-3/4	36-3/4	56	54	56

STANDARD FEATURES

- Galvanealed Construction.
- Hinged Dual Access Doors with 1/4 turn Fasteners.
- Joining Strips for Attachment to VIBK/VIDK.

OPTIONS

- Aluminum Construction.
- 2" (51mm) Thick Pleated Filters.
- 2" (51mm) Thick Permanent Washable Filters.