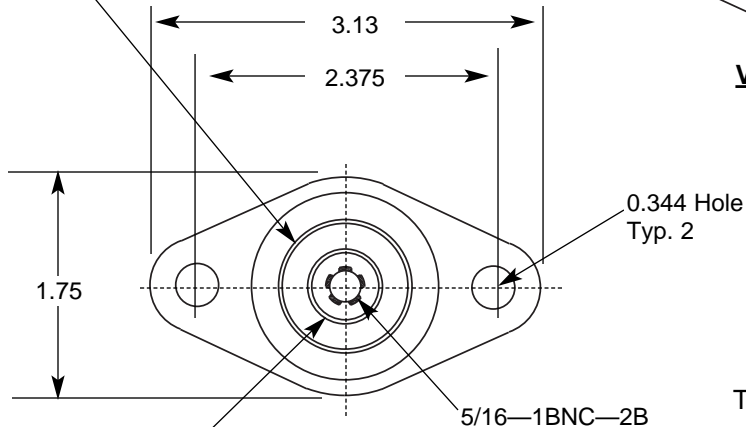


**Imperial [IP] Dimensions**

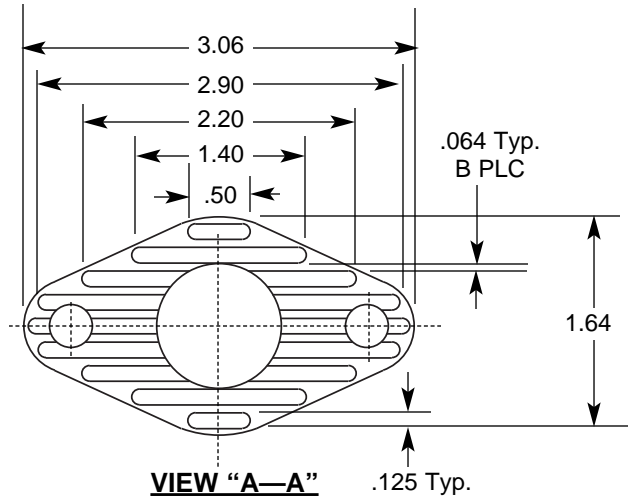
CARNES COMPANY 448 S. Main St., P. O. Box 930040, Verona, WI 53593-0040 Phone: (608)845-6411 Fax: (608)845-6504 www.carnes.com

CONCENTRIC RAISED RING  
1.07 O.D. x .96 I.D. x 0.3 H



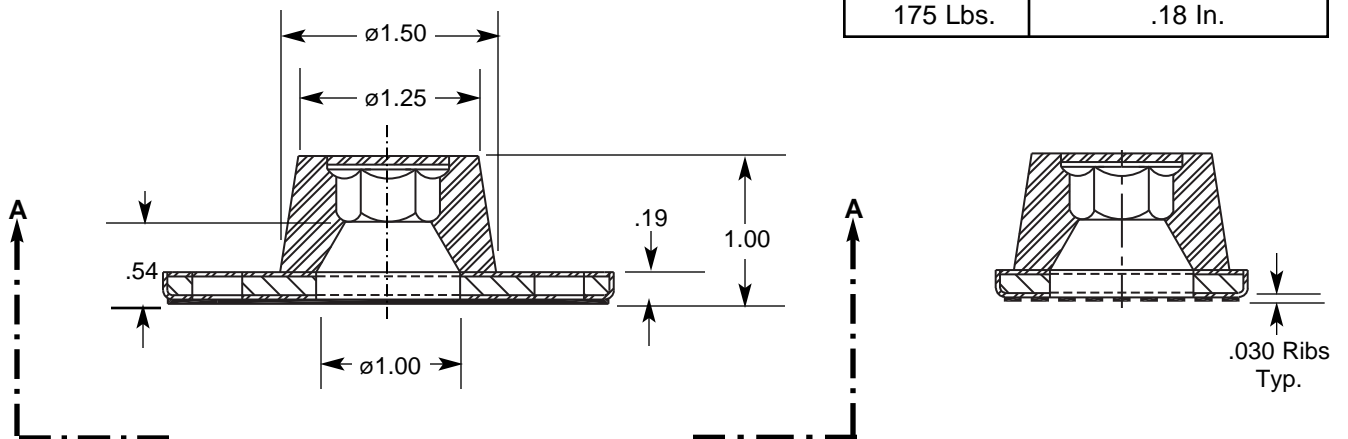
CONCENTRIC RAISED RING  
.60 O.D. x .49 I.D. x 0.3 H

**PLAN**



COLOR: Black  
DUROMETER: 65-75  
MATERIAL: Neoprene  
TENSILE STRENGTH: 250 Lbs. (Min.)

| COMPRESSION |                 |
|-------------|-----------------|
| FORCE       | MAX. DEFLECTION |
| 90 Lbs.     | .1 In.          |
| 120 Lbs.    | .14 In.         |
| 150 Lbs.    | .16 In.         |
| 175 Lbs.    | .18 In.         |



**SECTION ELEVATION**