

Imperial [IP] Dimensions  
Metric (SI) in Parentheses

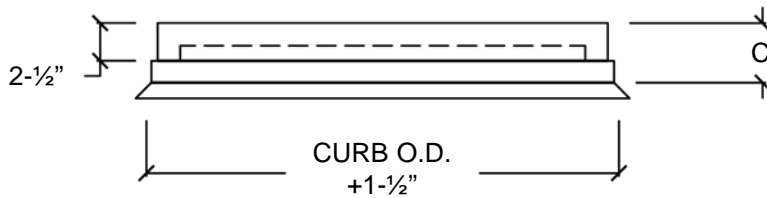
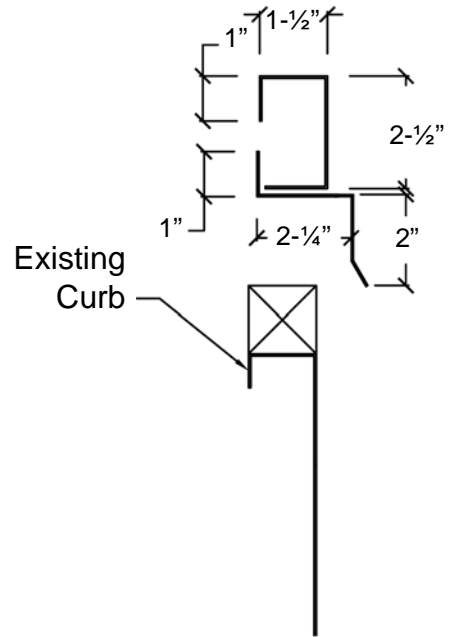
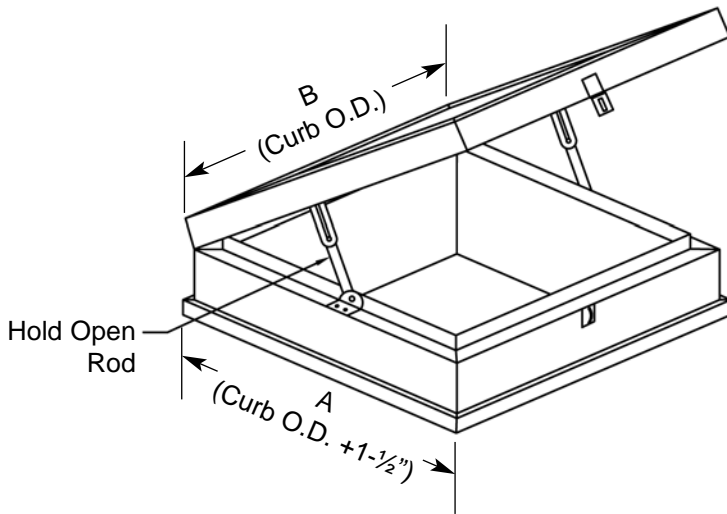
CARNES COMPANY 448 S. Main St., P. O. Box 930040, Verona, WI 53593-0040 Phone: (608)845-6411 Fax: (608)845-6504 www.carnes.com

**Standard Construction:**

20" and under = 18 gauge Galvanized Steel

20-1/2" through 30-1/2" = 16 gauge Galvanized Steel

Above 30-1/2" = 14 gauge Galvanized Steel



**SECTION VIEW**

Tag	Qty.	A	B	C	Fan Model