

TUBEAXIAL UPBLAST EXHAUSTERS

Application

Carnes Model LQBA is designed for high capacity industrial and commercial roof exhaust applications. The remote drive configuration of the LQBA is especially suited for the removal of fumes, vapors, steam, dust, smoke and contaminated or heated air. Belt drive models are available for continuous operation in air temperatures of 200°F. For temperature ratings to 1000°F and/or IRI requirements refer to Model LQBA with steel prop.

Capacities range from 7,180 to 78,800 CFM and up to 1" static pressure. Fan selections are available in 24, 30, 36, 42, 48, 54 and 60 inch sizes. Horsepowers range from 3/4 to 20 HP. Blade selections are available in aluminum, steel or fiberglass reinforced polypropylene (see performance charts for capacities). Every unit is completely assembled and factory tested for quality assurance prior to shipment.

Construction

The LQBA series is built with heavy-gauge steel to provide years of reliable service. Sizes 24" - 60" tubes are G-90 galvanized steel. Sizes 24" - 60" have rolled 2" flanged ends.

Upblast fans include a heavy-gauge galvanized steel wind band with pressure operated damper doors. A galvanized channel section drains water out of the fan area when the damper doors are closed.

All fans are available with epoxy, vinyl or anti-condensate coatings. Custom colors are also available. Contact your representative for the cost and finish best suited for your application.

Blades

For versatility, blades are offered in special high-strength, adjustable-pitch aluminum airfoil or adjustable-pitch fiberglass reinforced Polypropylene. These styles were selected to provide optimum performance and strength at low to moderate noise levels. Refer to the performance tables for the best selection.

The adjustable pitch aluminum airfoil propeller performs over a wide range of static pressures. This blade's strength is derived from matching T6-6061 extruded aluminum airfoil sections to a heavy steel plate hub. All blades are statically and dynamically balanced.

The highly corrosive resistant polypropylene blade's efficiency is due to the uniform twisting of the airfoil section over its entire length, resulting in less turbulence. The operating parameters are -40°F to +185°F ambient temperatures. Hubs are produced from die cast aluminum resulting in a light weight, high strength factory adjustable pitch blade.

Drive Mechanism

This belt drive model comes with 200,000 hour re-lubricable pillow block bearings and remote grease lines as standard features. Bearings and drives are isolated from the airstream by heavy-gauge galvanized belt tubes and bearing covers. Belt drive models through 3 HP ship with variable pitch pulleys; over 3 HP have fixed pulleys. The motor base slides for easy belt adjustment. All units are factory assembled and test run for quality assurance.



Model LQBA

Motors

Motors used with the LQBA series are heavy-duty, nationally recognized, with nationwide service centers. Standard motors are open drip proof (ODP). High efficiency, totally-enclosed fan cooled (TEFC), explosion proof and corrosive duty motors are also available.

Typical Specifications

Upblast roof exhausters shall be belt driven.

Fan tubes shall be heavy-gauge, galvanized steel for 24" through 60" sizes (15 HP maximum). Sizes 24" - 60" tubes shall be welded one-piece with 2" flanged ends for maximum strength. Bearing plates shall be minimum 10 gauge, galvanized steel, welded in place and protected from the airstream by welded, heavy-gauge galvanized steel.

Propellers shall be high strength adjustable-pitch aluminum airfoil, heavy-gauge steel or high density, adjustable pitch nylon reinforced polypropylene. (See fan schedule for best selection.)

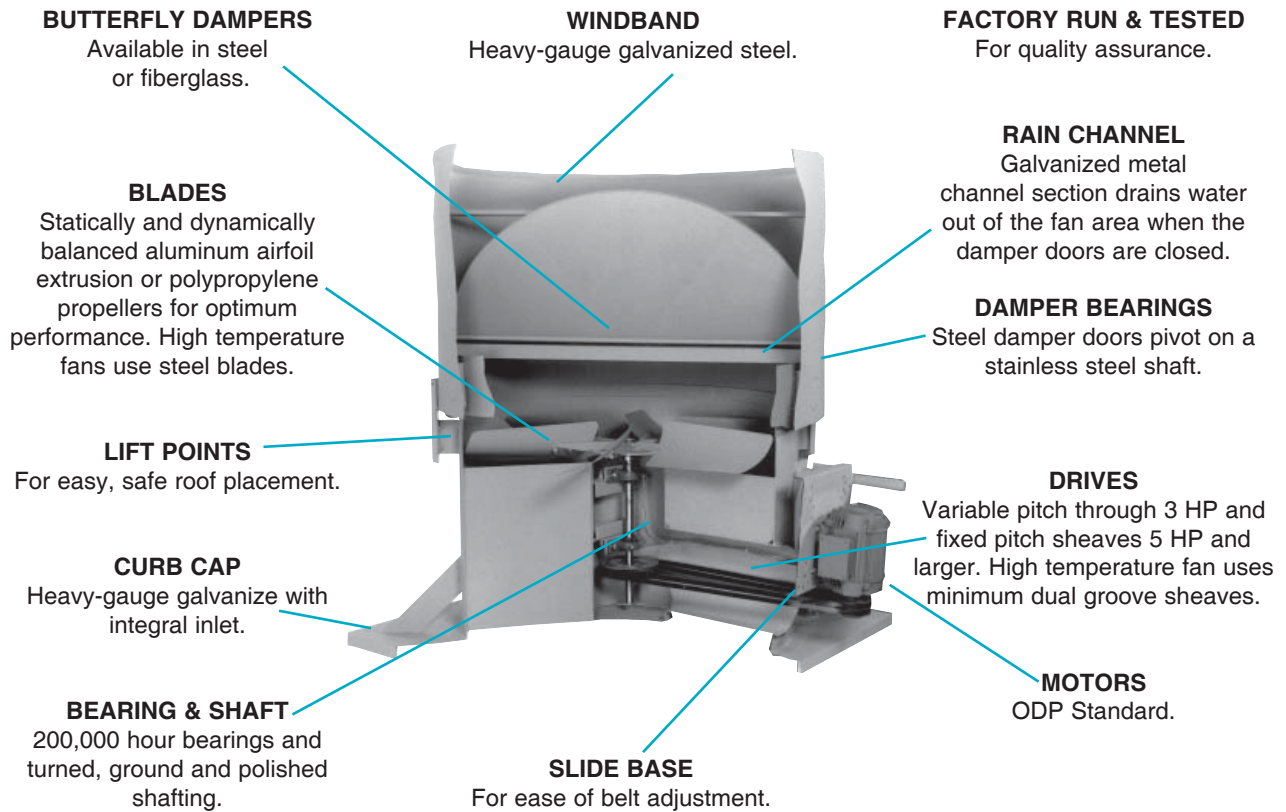
Motors shall be permanently lubricated, sealed ball-bearing type by nationally recognized manufacturers. Belt tensioning of the non-static, oil resistant V-belt is to be accomplished with adjustable tension rods.

Motors, bearings and belts shall be shielded from the airstream by a sheet metal enclosure. Drives shall be sized for a minimum 150% of drive horsepower. Drives shall be single-belt, fixed belt, adjustable sheaves through 3 HP, double-belt, fixed sheaves on 15 HP. High temp upblast shipped with two belts through 10 HP, three-belt, fixed sheaves on 15 HP and four-belt, fixed sheaves on 20 HP. (Adjustable sheaves are optional on two and three-belt drives.)

Bearings shall be heavy-duty cast-iron, pillow block, ball bearing type with remote grease lines and re-lubricable fittings. Bearings shall be self-aligning, double-sealed and factory prelubricated. Standard bearings shall be designed for minimum 200,000 hour life.

Fan shafts shall be turned, ground and polished steel coated with an anti-rust compound to resist corrosion.

CONSTRUCTION FEATURES Model LQBA



ACCESSORIES

Roof Curbs: Curbs are prefabricated in heavy-gauge galvanized steel welded construction, 8" high with a 1-1/2" wood nailer. Options include burglar bars, single and double pitch construction and additional curb heights. Refer to current submittal drawing for details.

Outlet Guard: Wire mesh guard will prevent birds and other objects from entering the fan.

Access Door: For inspection and blade service/cleaning.

Magnetic Latches: Helps reduce damper chatter when the unit is not in operation.

Heat/Smoke Vent: Opens damper doors when the temperatures exceed 165°F. Allows heat and smoke to escape building without use of fan power. (Standard on Hi-Temp Model.)

Disconnects: Safety disconnects are available for all motor sizes in raintight or open enclosures. Stock units are non-fused. Explosion proof, NEMA 4 and Nema 4X also available.

Motors: ODP standard, 2 speed, TEFC, corrosion duty and explosion proof are also available.

PAINT FINISHES

Epoxy: For use in an alkaline type atmosphere (exceptions are acetic and nitric acids). Epoxy forms an excellent hard, heavy film barrier against chemical attack as well as physical damage from direct impact and abrasion.

Vinyl: For acid type atmospheres that do not exceed 160°F.

All specifications are subject to change without notice unless approved in submittal by CARNES.

TUBEAXIAL UPBLAST

**Model LQBA - Belt Drive - Aluminum Blade (200°F Max.)
PERFORMANCE DATA**

Model LQBA	HP	RPM	No. of Blades	Max. BHP	CFM @ STATIC PRESSURE									Sones @ 5 Ft.
					0	1/8	1/4	3/8	1/2	5/8	3/4	1		
24	R2	3/4	1200	3	.83	6,210	5,807	5,171	4,321					19
	S2	1	1315	3	1.09	6,805	6,443	5,948	5,201	4,415				24
	T2	1-1/2	1515	3	1.65	7,840	7,537	7,162	6,651	5,979	5,306	4,519		29
	V2	2	1675	3	2.22	8,668	8,398	8,081	7,688	7,156	6,544	5,936	4,531	38
30	R2	3/4	915	3	.83	9,035	8,175	6,911						23
	S2	1	1010	3	1.11	9,973	9,213	8,219	6,789					24
	T2	1-1/2	1155	3	1.65	11,405	10,755	9,989	8,955	7,664	6,304			32
	V2	2	1275	3	2.21	12,590	12,009	11,351	10,554	9,495	8,312	7,079		38
	W2	3	1450	3	3.22	14,318	13,813	13,262	12,642	11,903	10,974	9,935	7,778	45
36	R2	3/4	740	3	.82	12,579	10,986	8,694						19
	S2	1	815	3	1.10	13,854	12,440	10,596						20
	T2	1-1/2	935	3	1.66	15,894	14,689	13,275	11,404	9,161				26
	V2	2	1025	3	2.19	17,424	16,337	15,110	13,611	11,713	9,660			30
	W2	3	1160	3	3.14	19,719	18,769	17,734	16,568	15,162	13,476	11,652		36
	X2	5	1400	3	5.47	23,798	23,021	22,201	21,324	20,373	19,306	18,074	15,197	68
	Y2	7-1/2	1590	3	7.97	27,028	26,347	25,639	24,897	24,114	23,277	22,371	20,220	89
42	R2	3/4	550	4	.84	14,588								22
	S2	1	605	4	1.04	16,046	14,024	11,621						23
	T2	1-1/2	690	4	1.57	18,300	16,539	14,632	12,265					24
	V2	2	760	4	2.11	20,157	18,561	16,898	14,949	12,723				29
	W2	3	870	4	3.28	23,074	21,682	20,029	18,749	16,978	15,038	12,727		36
	X1	5	1030	4	5.17	29,694	26,140	24,961	23,751	22,474	21,049	19,441	15,994	45
	Y2	7-1/2	1310	3	7.87	32,037	30,976	29,849	28,647	27,358	25,974	24,473	21,207	57
48	S2	1	500	4	1.12	20,266	16,694							24
	T2	1-1/2	570	4	1.67	23,104	20,044	16,726						25
	V2	2	630	4	2.25	25,536	22,821	19,815	16,733					26
	W2	3	720	4	3.33	29,184	26,863	24,237	21,647	18,899	14,356			35
	X1	5	855	4	5.51	34,656	32,749	30,623	28,375	26,210	23,907	21,375		43
	Y1	7-1/2	975	4	7.88	39,519	37,871	36,068	34,141	32,163	30,271	28,304	23,692	51
	C1	10	1175	3	10.87	45,327	43,576	41,742	39,672	37,424	35,052	32,652	28,246	73
54	W2	3	600	4	3.09	31,028	26,996	23,045	19,851					33
	X1	5	710	4	5.32	38,951	35,127	30,055	26,760	24,164	18,353			44
	Y1	7-1/2	850	3	7.91	44,741	41,411	37,455	32,829	29,414	26,206	20,758		54
	C1	10	935	3	10.89	49,215	46,040	42,878	38,781	34,681	31,975	29,019	18,913	62
60	W2	3	485	3	3.15	33,008	22,992							38
	X1	5	575	3	5.18	39,133	31,577	24,734						39
	Y1	7-1/2	660	3	8.15	44,918	38,963	30,343	27,344	19,516				51
	C1	10	725	3	10.93	49,342	44,124	36,563	31,592	28,304				59

NOTES:

1. Contact factory for alternate selections if required.
2. Brake horsepower does not include drive losses.
3. Values are installation Type A, free inlet hemispherical sone levels.
4. Performance shown are for types and units without inlet or outlet ducts.
5. The sound ratings shown are loudness values in fan sones at 5 ft. (3.0m) in a hemispherical free field calculated per AMCA Standard 301.
6. Model LQBA is not AMCA Licensed.

Tubexial Upblast Exhauster

TUBEAXIAL UPBLAST

Model LQBA - Belt Drive - Polypropylene Blade (185°F Max)
PERFORMANCE DATA

Model LQBA	HP	RPM	No. of Blades	Max. BHP	CFM @ STATIC PRESSURE								Sones @ 10 Ft.	
					0	1/8	1/4	3/8	1/2	5/8	3/4	1		
24	R2	3/4	1275	6	.75	6,350	5,962	5,491	4,980					17
	S2	1	1390	6	1.00	6,998	6,680	6,180	5,755	5,268	4,595			20
	T2	1-1/2	1615	6	1.50	8,265	7,943	7,615	7,267	6,873	6,421	5,382		26
	V2	2	1800	6	2.00	9,246	8,996	8,697	8,408	8,190	7,731	6,942	5,924	36
	W2	3	2050	6	3.00	10,626	10,323	10,121	9,875	9,619	9,342	8,731	8,042	39
30	R2	3/4	975	6	.75	8,697	7,942	6,919						19
	S2	1	1080	6	1.00	9,775	9,121	8,323	7,321					20
	T2	1-1/2	1250	6	1.50	11,515	10,920	10,321	9,646	8,797	7,870			24
	V2	2	1375	6	2.00	12,821	12,222	11,727	11,224	10,523	9,719	7,823		26
	W2	3	1550	6	3.00	14,525	14,029	13,623	13,124	12,628	12,031	10,741	8,914	34
	X2	5	1850	6	5.00	17,514	17,112	16,694	16,301	15,913	15,491	14,631	13,585	52
36	T2	1-1/2	930	6	1.50	14,809	13,921	12,488	11,222	8,630				24
	V2	2	1040	6	2.00	16,823	16,002	14,911	13,692	12,481	10,275			28
	W2	3	1180	6	3.00	19,331	18,540	17,681	16,791	15,710	14,722	11,081		34
	X2	5	1385	6	5.00	22,940	22,026	21,560	20,890	20,018	19,230	17,450	15,008	39
	Y2	7-1/2	1585	6	7.50	26,230	25,850	25,120	24,562	23,900	23,243	21,900	20,144	50
	C1	10	1750	6	10.00	29,020	28,671	28,028	27,670	27,016	26,560	25,048	24,010	71
42	T2	1-1/2	750	6	1.50	17,451	15,670	13,561	10,019					20
	V2	2	825	6	2.00	19,563	17,981	16,195	14,986	10,126	8,126			32
	W2	3	950	6	3.00	22,893	21,562	20,128	18,673	16,892	14,457			33
	X1	5	1130	6	5.00	27,670	26,551	25,253	24,030	22,968	21,616	18,018	12,775	39
	Y2	7-1/2	1300	6	7.50	31,120	30,830	30,039	29,130	28,312	27,022	24,790	21,100	50
	C1	10	1420	6	10.00	34,310	33,537	32,610	31,674	30,880	29,868	27,986	25,708	53
	N1	15	1625	6	15.00	39,712	38,968	38,028	37,324	36,764	35,861	34,257	32,056	76
48	T2	1-1/2	620	8	1.50	20,303	18,249	15,126						24
	V2	2	650	8	2.00	21,414	19,321	16,364						26
	W2	3	750	8	3.00	25,236	23,381	21,684	19,291	16,061				28
	X1	5	890	8	5.00	30,791	29,108	27,464	25,852	24,142	22,122	15,276		36
	Y1	7-1/2	1015	8	7.50	35,748	34,126	32,561	31,213	29,792	28,382	24,298	18,203	50
	C1	10	1120	8	10.00	39,574	38,235	36,780	35,453	34,243	33,033	30,691	26,405	55
	N1	15	1285	8	15.00	45,670	44,394	43,334	42,224	41,014	39,694	37,637	35,432	72
54	W2	3	600	6	3.00	31,896	28,991	24,252						26
	X1	5	730	8	5.00	34,454	33,006	31,283	28,892	25,962	22,632			33
	Y1	7-1/2	835	8	7.50	40,051	38,596	37,383	35,663	33,543	31,323	25,762		39
	C1	10	925	8	10.00	44,750	43,544	42,334	41,124	39,504	37,683	33,343	28,192	43
	N1	15	1040	8	15.00	51,252	50,115	49,105	48,094	46,974	45,764	42,334	38,593	56
60	X1	5	640	6	5.00	44,454	40,914	37,683	33,704	28,292				36
	Y1	7-1/2	735	6	7.50	52,235	49,105	46,274	43,344	40,015	35,963			39
	C1	10	810	6	10.00	58,295	55,465	52,735	50,015	47,484	44,354			50
	N1	15	926	8	15.00	60,116	58,695	57,185	55,565	54,055	52,535	49,205	45,164	56
	Q1	20	1025	6	20.00	75,267	73,060	72,187	68,796	66,576	64,456	60,316	55,465	71

NOTES:

1. Contact factory for alternate selections if required.
2. Brake horsepower does not include drive losses.
3. Values are installation Type A, free inlet hemispherical sone levels.
4. Performance shown are for types and units without inlet or outlet ducts.
5. The sound ratings shown are loudness values in fan sones at 10 ft. (3.0m) in a hemispherical free field calculated per AMCA Standard 301.
6. Model LQBA is not AMCA Licensed.

TUBEAXIAL UPBLAST UL LISTED FOR HEAT & SMOKE REMOVAL

Model LQBA “High Temp”

Application

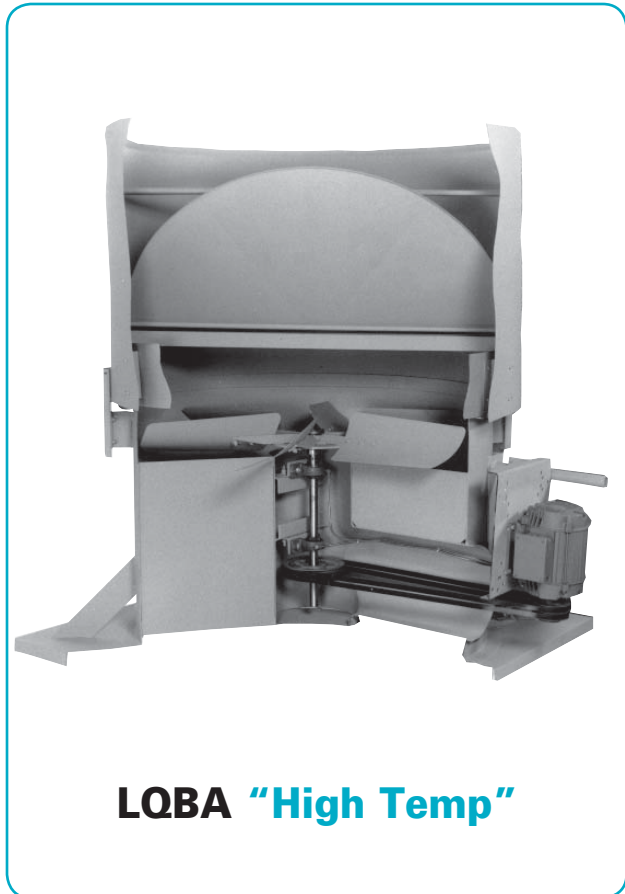
Carnes Model LQBA (“High-Temp”) has been designed and tested for emergency heat and smoke removal. This design also lends itself to everyday, non-emergency, high capacity industrial and commercial roof exhaust applications. Model LQBA (“High-Temp”) successfully passed heat test of 1000°F for fifteen (15) minutes and 500°F for over four (4) hours by an independent testing agency. Model LQBA (“High-Temp”) exceeds I. R. I. (Industrial Risk Insurers) guidelines.

The heavy-gauge design allows for years of standard commercial use and the dependability required in a fire emergency. The upblast configuration exhaust heat and smoke high above the roof line aiding in the access and capabilities of fire fighters. Unlike complete design dependence on gravity vents which are sometimes limited by air temperature and wind velocity, the LQBA (“High-Temp”) in conjunction with gravity vents, will more effectively remove smoke, hot air and gases when used in a properly designed system. In the event of electrical failure, the 165°F fusible link will activate the spring assisted damper doors to provide gravity ventilation. Fan CFM sizing and location for both exhaust and supply air are an important part of the overall heat and smoke venting building needs. Refer to I.R.I. (Industrial Risk Insurers), NFPA (National Fire Protection Agency) and local fire codes for help in proper system design. Final approval for the complete system design should be authorized by the local authority having jurisdiction.

Fan selections are available in 24, 30, 36, 42, 48, 54 and 60 inch sizes. Horsepower and CFM range to 57,000 CFM and 15 HP units are tested in accordance with AMCA Standard 301 (sound) and AMCA 210 (air) in an AMCA Accredited Laboratory. Every unit is completely assembled and factory tested for quality assurance prior to shipment.

Construction/Specification Checklist:

1. Successfully heat tested by independent laboratory for
 - (a) 1000°F for 15 minutes.
 - (b) 500°F for minimum 4 hours.
2. All ferrous construction in air stream.
3. 165°F fusible link in damper mechanism (heat & smoke vent).
4. Motor out-of-air stream design.
5. Belt & bearings enclosed in ventilated housing.
6. Minimum dual groove drive / belt combination.
7. Shaft heat slinger.
8. Motor operated dampers not available.



LQBA “High Temp”

Drive Mechanism

Motors, bearings and belt are shielded from the air stream by a sheet metal enclosure, with cooling provided by fresh outside air. Drives are sized for a minimum 150% of drive horsepower. Drives are minimum dual groove sheaves through 10 horsepower and three belt on 15 HP. Adjustable sheaves are available as an option. Bearings are heavy-duty cast iron, pillow block with re-lubricable fittings. Standard bearings are fitted with remote lubricable fittings and designed for minimum 200,000 hour life. All shafts are turned, ground and polished steel coated with an anti-rust compound to resist corrosion.

Electrical Power

Electrical power should be independent of the general building. Wiring requires special, heat resistant qualities as determined by local fire codes. Switching should always be arranged so that automatic start-up can be achieved through safety devices such as, but not limited to, sprinkler systems and smoke or heat sensors.

HIGH-TEMP TUBEAXIAL UPBLAST

Model LQBA - Belt Drive - Steel Blade
PERFORMANCE DATA

Model LQBA		HP	Max. RPM	BHP	CFM @ STATIC PRESSURE						Sones @ 5 Ft.	
					0	1/8	1/4	3/8	1/2	5/8		3/4
24	R2	3/4	1215	.78	6,255	5,297	4,821	4,035				21
	S2	1	1335	1.08	6,975	6,494	5,328					27
	T2	1-1/2	1530	1.53	7,896	7,272	6,601	6,216	5,814	5,248		31
	V2	2	1750	2.05	8,693	8,109	7,688	7,265	6,276	5,409		40
30	S2	1	1180	1.06	9,631	8,703	6,835	6,478				26
	T2	1-1/2	1155	1.57	11,324	10,716	9,408	7,755	6,574			29
	V2	2	1550	2.09	11,952	11,272	10,694	9,776	8,405	7,824		35
	W2	3	1325	3.08	13,871	13,059	12,491	11,234	10,295	8,173		34
	X2	5	1560	5.13	16,225	15,983	15,120	14,730	12,761	10,576	8,568	42
36	T2	1-1/2	1015	1.61	14,173	13,128	11,822	10,471				28
	V2	2	1160	2.11	15,114	14,353	13,243	11,988	10,514	8,772	7,444	32
	W2	3	1140	3.05	18,020	16,740	16,186	14,342	10,549	9,510	7,865	38
	X2	5	1245	5.12	20,849	20,157	19,368	18,978	16,490	14,118	11,362	53
42	V2	2	930	2.01	18,628	17,503	15,264	12,855	11,606			29
	W2	3	1140	3.13	22,193	20,384	18,866	17,337	15,643	13,574		38
	X1	5	1140	5.07	25,960	24,822	23,667	22,374	20,839	19,521	18,043	48
	Y2	7-1/2	1140	7.81	29,490	28,518	28,186	26,569	24,926	23,934	19,623	58
48	V2	2	1060	2.13	23,071	20,547	17,036	14,446	9,318			31
	W2	3	745	3.08	27,001	25,050	22,614	18,159	12,350			32
	X1	5	920	5.12	32,214	30,087	28,244	24,584	21,171	17,307		41
	Y1	7-1/2	1220	7.61	37,275	35,069	34,092	31,881	29,474	24,436	20,370	56
	C1	10	1030	10.81	41,738	39,120	38,422	36,114	34,990	27,506	25,067	66
54	W2	3	760	3.04	28,569	25,768	22,833	18,300				28
	X1	5	780	5.16	36,440	34,307	32,085	28,209	21,065			37
	Y1	7-1/2	900	7.55	42,632	40,823	38,562	36,009	29,864	23,065		48
	C1	10	860	10.08	47,064	45,427	43,602	41,604	38,006	30,622		52
	N1	15	780	15.71	49,325	48,358	47,390	45,974	42,307	37,941	34,800	62
60	W2	3	530	3.11	35,718	32,721	24,429	19,438				28
	X1	5	640	5.18	42,487	40,061	35,933	30,065	25,302	22,050		35
	Y1	7-1/2	800	7.59	48,378	45,938	43,009	38,690	35,690	30,406		47
	C1	10	845	10.13	54,617	50,622	48,428	45,938	37,363	29,993		53
	N1	15	675	15.61	57,143	54,850	52,557	50,264	47,971	42,759	35,297	62

NOTES:

1. Contact factory for alternate selections if required.
2. Brake horsepower does not include drive losses.
3. Values are installation Type A, free inlet hemispherical sone levels.
4. Performance shown are for types and units without inlet or outlet ducts.
5. The sound ratings shown are loudness values in fan sones at 5 ft. (3.0m) in a hemispherical free field calculated per AMCA Standard 301.
6. Model LQBA is not AMCA Licensed.

Tubeaxial Upblast Exhauster

TUBEAXIAL UPBLAST FOR HEAT & SMOKE REMOVAL



UL LISTED POWER VENTILATOR FOR SMOKE CONTROL SYSTEMS

Model LQBA with steel blades provides emergency heat and smoke removal with capacity to 57,000 CFM (96,850 CMH). The standard fan construction is UL Listed "Power Ventilator for Smoke Control Systems", meet IRI requirements of 500°F for 4 hours and SBCCI "Standard Fire Prevention Code" for 1000°F for 15 minutes and UL-793 Snow Load Test.

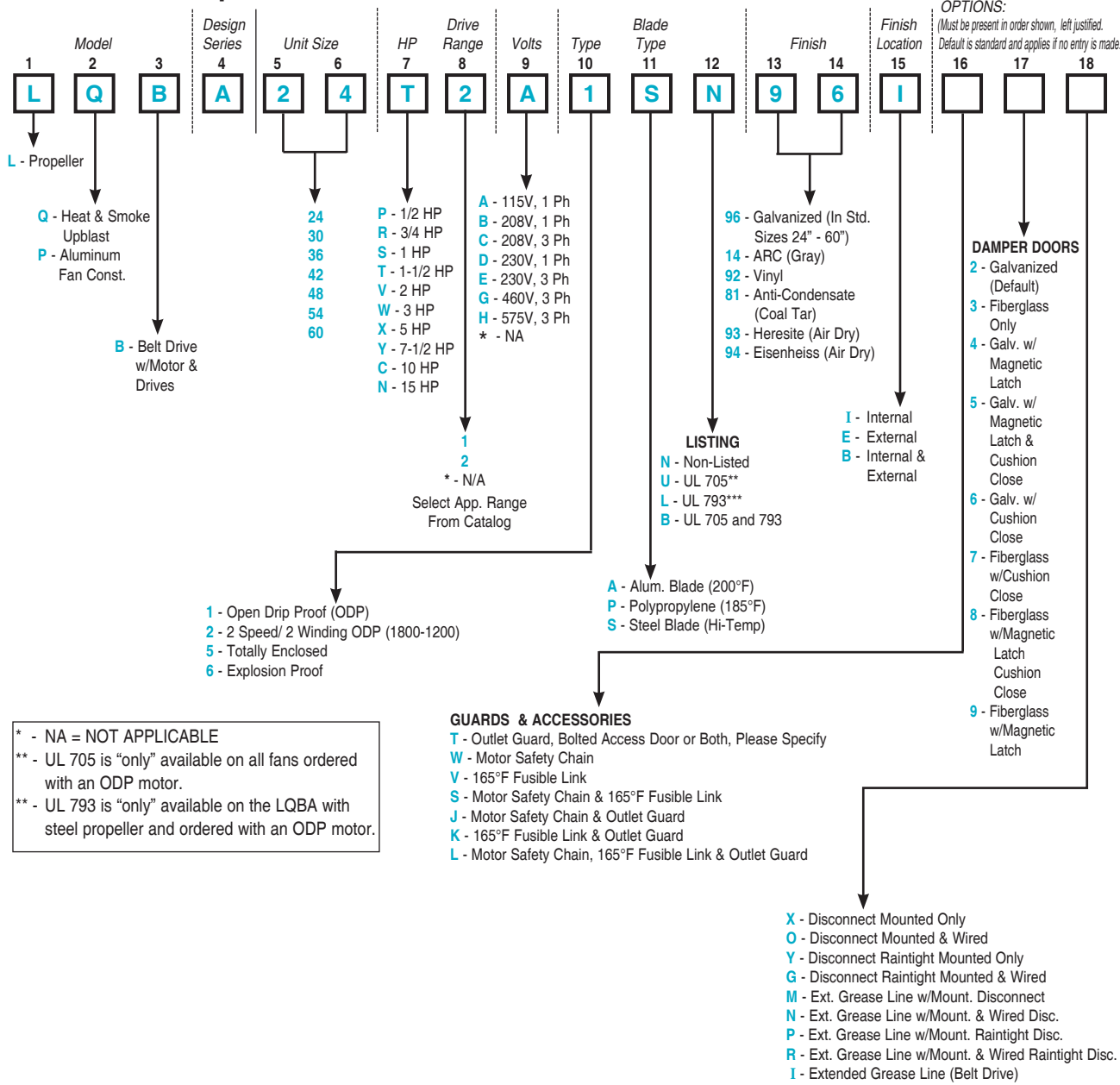
Outstanding features include robust galvanized steel construction, fusible link damper lifters, dual belt drives, heavy-duty steel propeller, extended lubrication lines, EPACT high efficiency motors and spring retaining safety bolt for shipping hold-down and security during service.

The rugged and reliable damper door design with thermally activated torsion springs provide heat and smoke ventilation even in the absence of electrical power.

UL LISTED POWER VENTILATOR

UL Standard 705 details the requirements by Underwriters Laboratories, Inc., under its follow-up service for the category of Power Ventilators. The UL 705 listing ensures that the approved ventilator employs materials and forms of construction which comply with the requirements of the standard. The UL requirements are based upon sound engineering principles, research, records of installation and consultation with manufacturers and users.

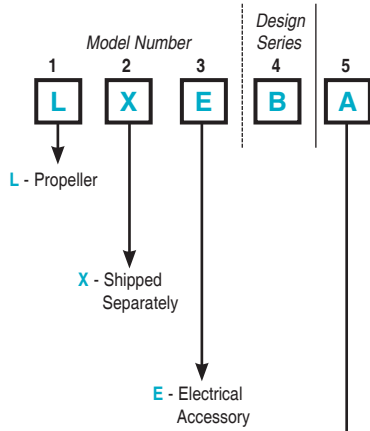
▼ **Tube Axial Upblast Exhausters**



* - NA = NOT APPLICABLE
 ** - UL 705 is "only" available on all fans ordered with an ODP motor.
 *** - UL 793 is "only" available on the LQBA with steel propeller and ordered with an ODP motor.

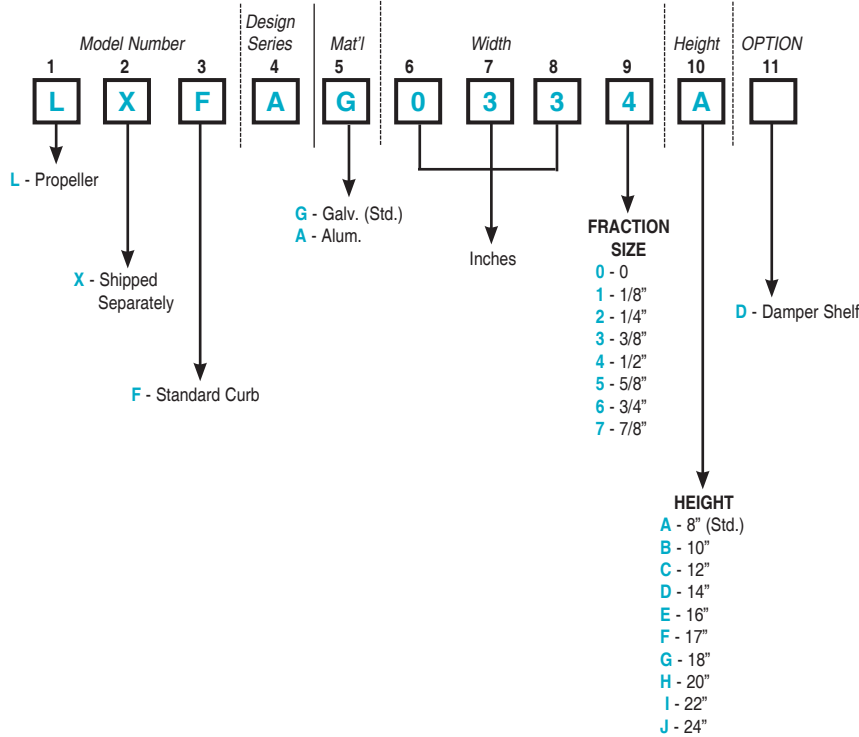
Tubeaxial Upblast Exhauster

▼ Electrical Accessories

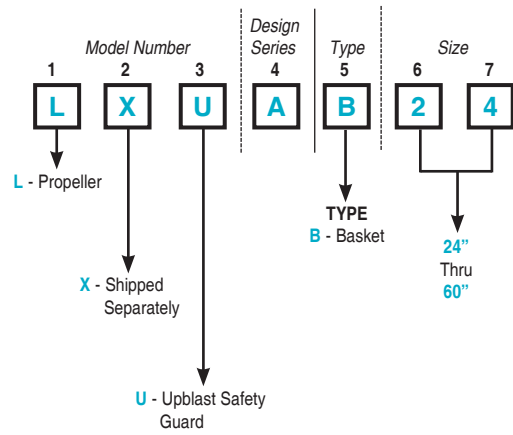


- K** - Open Disconnect, NEMA 1, 115-230V, 1-2 HP
- L** - Open Disconnect, NEMA 1, 230-460V, 1-2 HP
- M** - Open Disconnect, NEMA 1, 230-460V, 7-1/2-10 HP
- N** - Heavy-duty Open Disconnect, NEMA 1, 230-460V, 7-1/2-15 HP
- P** - Raintight Disconnect, NEMA 3, 115-230V, 1-2 HP
- Q** - Heavy-duty Raintight Disconnect, NEMA 3, 115-230V, 10 HP
- R** - Raintight Disconnect, NEMA 3, 230-460V, 7-1/2-10 HP
- S** - Heavy-duty Raintight, NEMA 3, 230-460V, 7-1/2-15 HP
- T** - Raintight Disconnect, NEMA 4, 115-230V, 1-2 HP
- U** - Raintight Disconnect, NEMA 4, 230-460V, 7-1/2-10 HP
- V** - Raintight Disconnect, NEMA 4X, 115-230V, 1-2 HP
- W** - Raintight Disconnect, NEMA 4X, 230-460V, 7-1/2-10 HP
- X** - Explosion Proof, 1 HP Max., 115-230V
- Y** - Explosion Proof, 3-5 HP Max., 230-460V
- H** - 2 Speed Disconnect, NEAM 3R, 6 Pole, 115-600V, 7-1/2 HP

▼ Propeller Accessories Curbs



▼ Upblast Safety Guard



Tubexial Upblast Exhauster