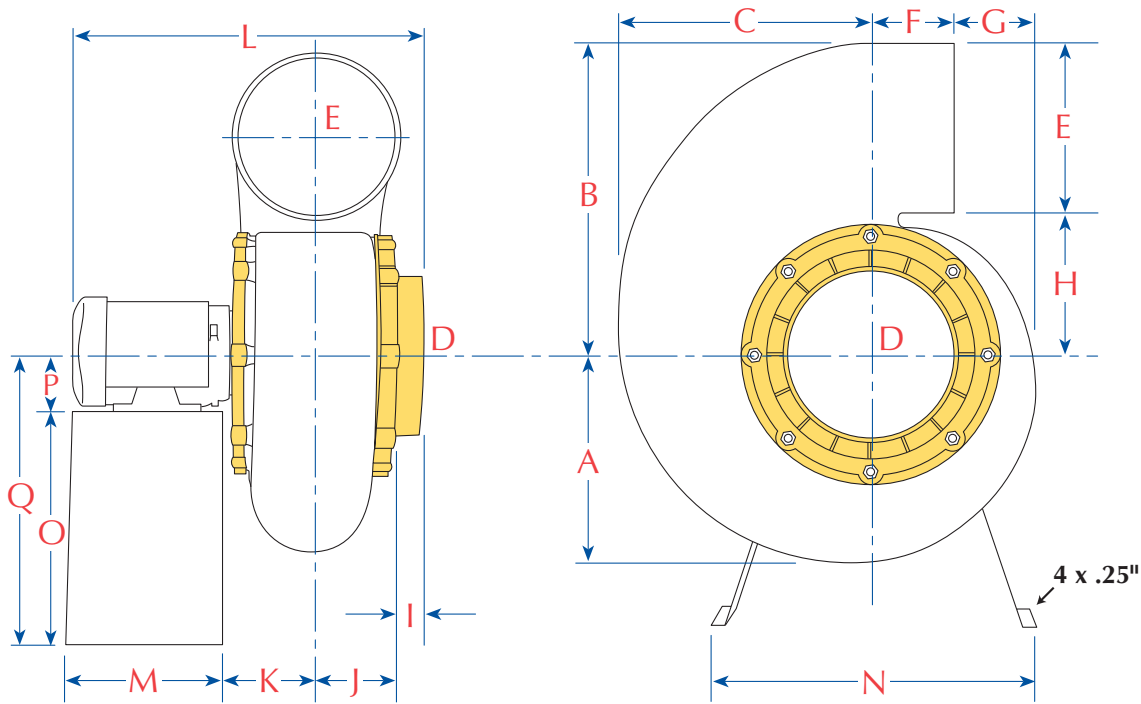


Inlet Outside Dimension (O/D): 6.30 Outlet Outside Dimension (O/D): 6.70 Impeller Diameter: 7.87



Optional Stainless Steel Impeller Available

DIMENSIONAL DATA (inches)

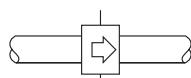
| A | B | C | D | E | F | G | H | I | J | K | M | N | O |
|------|-------|------|------|------|------|------|------|------|------|------|------|-------|------|
| 8.18 | 11.92 | 9.44 | 6.30 | 6.70 | 3.93 | 2.24 | 5.62 | 1.25 | 3.30 | 3.70 | 7.08 | 13.38 | 9.44 |

| L | P | Q | BLOWER TYPE |
|-------|------|-------|-------------|
| 20.02 | 3.50 | 12.94 | PLA20SS2P |
| 17.59 | 3.50 | 12.94 | PLA20ST2P |
| 21.08 | 3.50 | 12.94 | PLA20XS2P |
| 21.08 | 3.50 | 12.94 | PLA20XT2P |
| 18.22 | 3.50 | 12.94 | PLA20SS4P |
| 17.60 | 3.50 | 12.94 | PLA20ST4P |
| 20.00 | 3.50 | 12.94 | PLA20XS4P |
| 20.00 | 3.50 | 12.94 | PLA20XT4P |
| 18.22 | 3.50 | 12.94 | PLA20SS6P |
| 14.70 | 2.48 | 11.92 | PLA20ST6P |
| 19.90 | 3.50 | 12.94 | PLA20XS6P |
| 14.81 | 2.48 | 11.92 | PLA20XT6P |

SHOWN WITH OPTIONAL ROOF UNIT KIT



See Accessories Performance and Dimensional Data Sheets for Roof Unit Kits

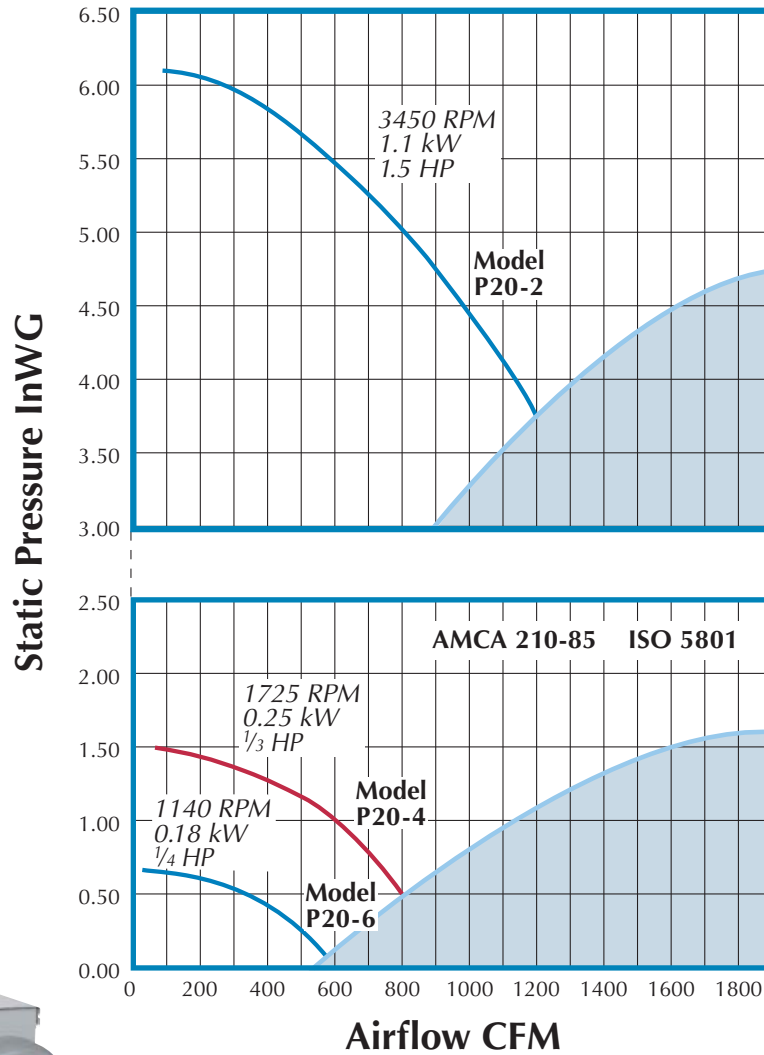


Noise Level
(Ducted inlet/outlet)
Measured at 5 feet.

| R.P.M. | LWA dB (A) |
|--------|---------------|
| 1150 | 46 |
| 1725 | 56 |
| 3450 | 73 |

PLASTEC 20

CARNES®



For **Weather Protection** see optional accessory "Weather Hood Enclosed Pedestal" Model WH3, pictured at right. Also see Model WH5 Aluminum Weather Hood pictured at left.



ROTATION AND DISCHARGE FOR CENTRIFUGAL FANS

Standard Position



Counter-Clockwise
Up Blast
CCW 360



Counter-Clockwise
Top Angular
Up Blast
CCW 45



Counter-Clockwise
Top Horizontal
CCW 90



Counter-Clockwise
Top Angular
Down Blast
CCW 135



Counter-Clockwise
Down-Blast
CCW 180



Counter-Clockwise
Bottom Angular
Down Blast
CCW 225



Counter-Clockwise
Bottom Horizontal
CCW 270



Counter-Clockwise
Bottom Angular
Up Blast
CCW 315

Optional Field Adjustable Positions

Notes:

- (1) Direction of rotation is determined from the drive side of fan. **Standard position is up-blast CCW 360.**
- (2) On single inlet fans, drive side is always considered as the side opposite fan inlet.
- (3) Clockwise available upon request.