

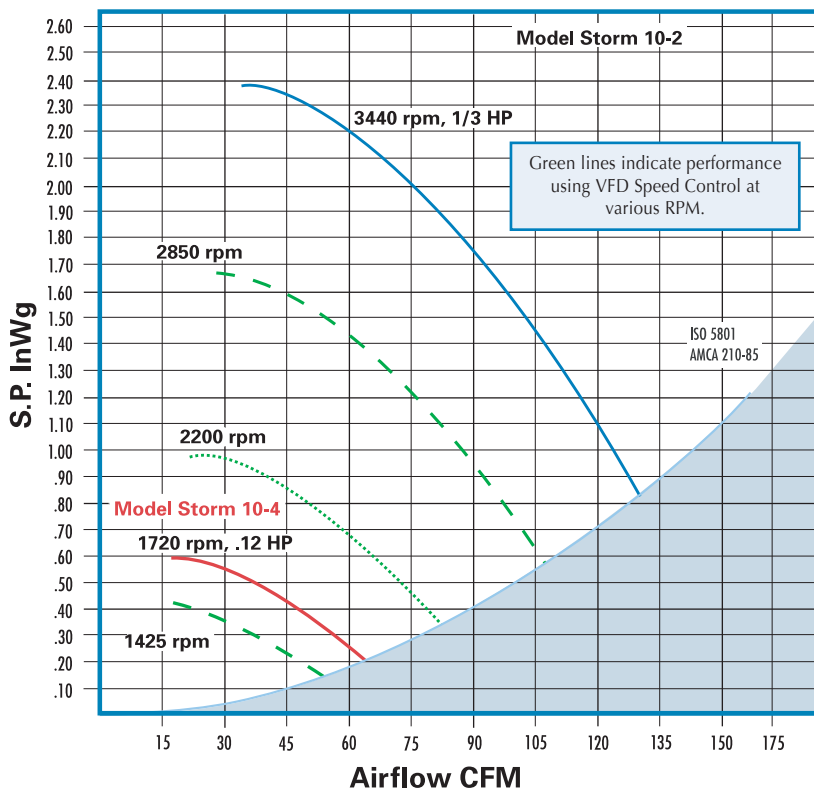
Dimensional Data (All dimensions in inches)

A	4.53	G	3.82	Y	7.09
B	5.31	H	1.26	Y ₁	6.30
C	5.00	L	1.90	Z	13.39
D	2.95	M	2.24	X	9.45
E	6.22	N	4.14		

P ₁	P	X ₁	Motor Type
10.73	11.88	2.30	Single Phase .12 HP 4 Pole
13.75	14.90	3.16	Single Phase .33 HP 2 Pole
18.00	19.15	3.43	Single Phase .50 HP 2 Pole/4 Pole Explosion-Proof

Wheel diameter: 5.80"

Metal stand does not come standard with fan (see accessories). Motor frame sizes may vary upon type of motor used.



n (T/min) R.P.M.	dB (A)	dB
1435	52,3	61,6
1720	57,1	67,4
2870	69,7	80,8
3440	74,1	85,2

ISO 13347



n (T/min) R.P.M.	Global dB	Global dB (A)
1435	62,9	51,6
1720	68,1	56,5
2870	81,1	69,6
3440	85,5	74,4

For **Weather Protection** see optional accessory "Weather Hood/WH3 Pedestal" pictured at right.

Also available with optional WH5 Aluminum Weatherhood. (See Accessories)



Rotation and Discharge for Centrifugal Fans

STANDARD POSITION

OPTIONAL FIELD ADJUSTABLE POSITIONS



Counter-Clockwise
Up Blast
CCW 360



Counter-Clockwise
Top Angular
Up Blast
CCW 45



Counter-Clockwise
Top Horizontal
CCW 90



Counter-Clockwise
Top Angular
Down Blast
CCW 135



Counter-Clockwise
Down-Blast
CCW 180



Counter-Clockwise
Bottom Angular
Down Blast
CCW 225



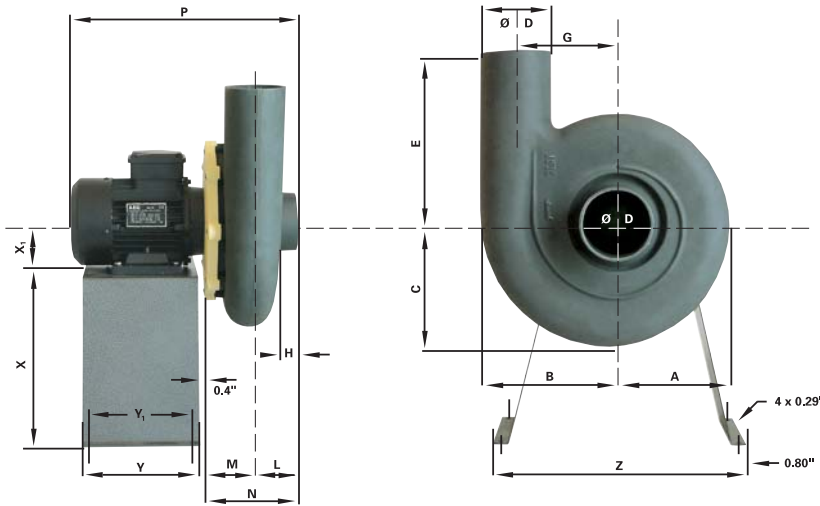
Counter-Clockwise
Bottom
Horizontal
CCW 270



Counter-Clockwise
Bottom Angular
Up Blast
CCW 315

Notes:

- (1) Direction of rotation is determined from the drive side of fan. **Standard position is up-blast CCW 360.**
- (2) On single inlet fans, drive side is always considered as the side opposite fan inlet.

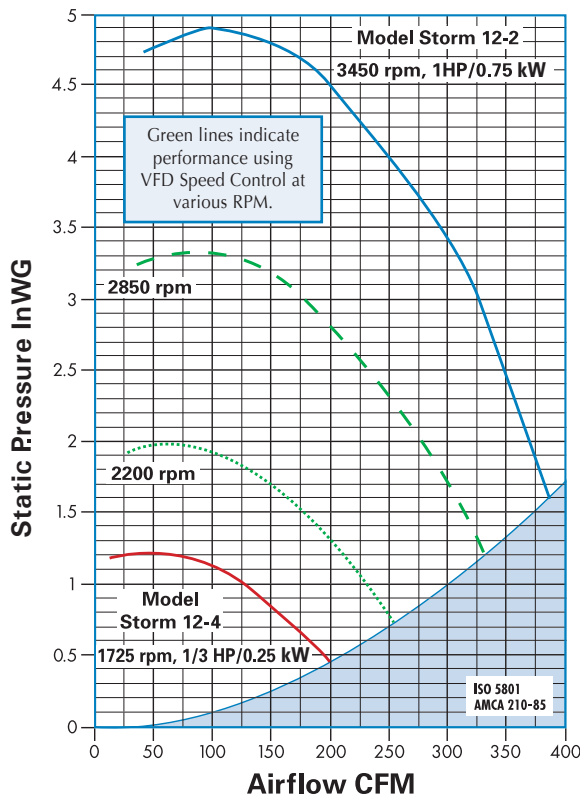


Metal stand does not come standard with fan (see accessories). Motor frame sizes may vary upon type of motor used.

Dimensional Data (All dimensions in inches)

A	5.71	H	1.77	Y	7.09
B	6.89	L	3.15	Y ₁	6.30
C	6.42	M	2.83	Z	13.39
D	3.54	N	5.98	X	9.45
E	8.35	P	13.78	X ₁	2.80
G	5.12				

Wheel diameter: 7.75"



n (T/min) R.P.M.	dB (A)	dB
1450	71,7	83,9
1720	75,3	87,6
2850	85,8	98,1
3300	88,8	100,9

ISO 9614/1



Housing and motor noise level when fan is running near maximum output

n (T/min) R.P.M.	Global dB	Global dB (A)
1450	60,4	56,8
1720	65,2	61,5
2850	76,8	74
3300	80,5	77,8

For **Weather Protection** see optional accessory "Weather Hood/WH3 Pedestal" pictured at right.

Also available with optional WH5 Aluminum Weatherhood. (See Accessories)



Rotation and Discharge for Centrifugal Fans

STANDARD POSITION

OPTIONAL FIELD ADJUSTABLE POSITIONS



Counter-Clockwise Up Blast
CCW 360



Counter-Clockwise Top Angular Up Blast
CCW 45



Counter-Clockwise Top Horizontal
CCW 90



Counter-Clockwise Top Angular Down Blast
CCW 135



Counter-Clockwise Down-Blast
CCW 180



Counter-Clockwise Bottom Angular Down Blast
CCW 225



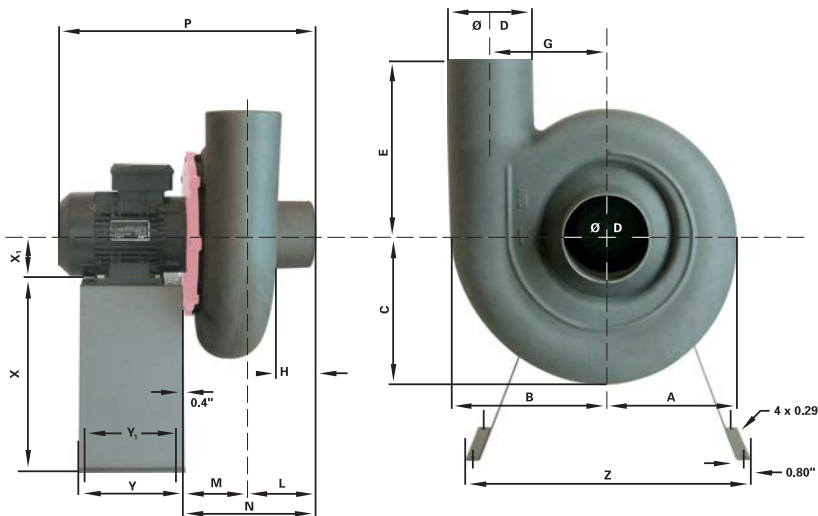
Counter-Clockwise Bottom Horizontal
CCW 270



Counter-Clockwise Bottom Angular Up Blast
CCW 315

Notes:

- (1) Direction of rotation is determined from the drive side of fan. **Standard position is up-blast CCW 360.**
- (2) On single inlet fans, drive side is always considered as the side opposite fan inlet.

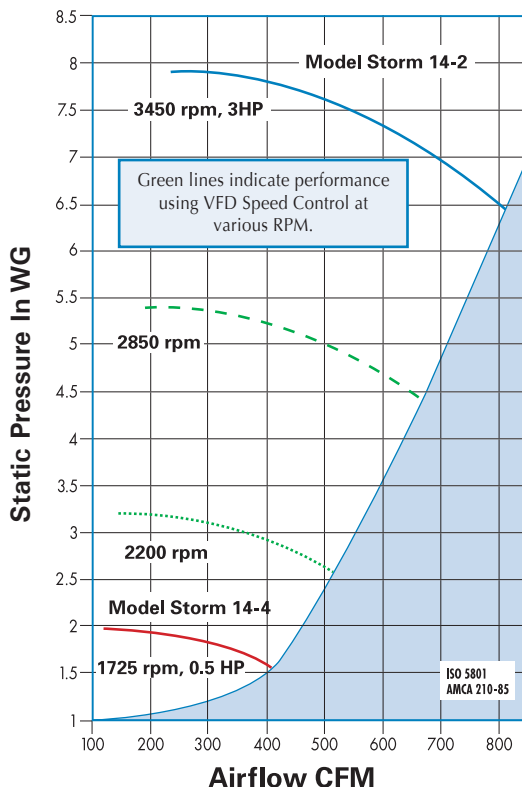


Metal stand does not come standard with fan (see accessories). Motor frame sizes may vary upon type of motor used.

Dimensional Data (All dimensions in inches)

A	7.40	H	4.17	Y	7.125
B	9.13	L	6.33	Y ₁	6.30
C	8.94	M	3.27	Z	16.25
D	4.53	N	9.60	X	11.81
E	10.58	P	19.05	X ₁	3.15
G	6.69				

Wheel diameter: 9.75"



n (T/min) R.P.M.	dB (A)	dB
1450	75	87,3
1720	78,8	90,8
2850	89,3	105,8
3300	93,1	110,5

ISO 9614/1



Housing and motor noise level when fan is running near maximum output

n (T/min) R.P.M.	Global dB	Global dB (A)
1450	65,4	61,1
1720	69,1	69,1
2850	82,1	78
3300	86,7	81,8

For **Weather Protection** see optional accessory "Weather Hood/WH3 Pedestal" pictured at right.

Also available with optional WH5 Aluminum Weatherhood. (See Accessories)



Rotation and Discharge for Centrifugal Fans

STANDARD POSITION

OPTIONAL FIELD ADJUSTABLE POSITIONS



Counter-Clockwise Up Blast CCW 360



Counter-Clockwise Top Angular Up Blast CCW 45



Counter-Clockwise Top Horizontal CCW 90



Counter-Clockwise Top Angular Down Blast CCW 135



Counter-Clockwise Down-Blast CCW 180



Counter-Clockwise Bottom Angular Down Blast CCW 225



Counter-Clockwise Bottom Horizontal CCW 270



Counter-Clockwise Bottom Angular Up Blast CCW 315

Notes:

- (1) Direction of rotation is determined from the drive side of fan. **Standard position is up-blast CCW 360.**
- (2) On single inlet fans, drive side is always considered as the side opposite fan inlet.